



Club



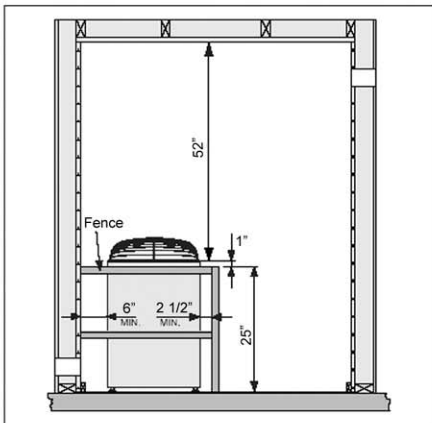
The Club heaters from Harvia are designed to serve as true super heaters capable of providing heat for large numbers of users from morning till night.

Heaters used in large saunas or on a continuous basis must be functional, efficient and comfortable to use. The floor-mounted Club electric heaters are of the world-famous Harvia quality. They are completely made of stainless steel and provide the power and durability required for heavy-duty use.

The Club heaters are excellent for health clubs, wellness centres, hotels, holiday resorts, indoor swimming pools, large family saunas and other facilities where saunas are in frequent use.

The Club heaters are controlled by a separate control unit. Club models K10G, K12,5G and K15G.

Safety distances



Heater Model	Power kW	Min./Max Cubic Ft.	Min. Ceiling Height	Stone Capacity	240V/1PH			208V/3PH		
					Watts	Amps	Control Unit	Watts	Amps	Control Unit
K10G	10	388-600	78"	132 lbs.	10,000	41.7	CG170-U1	9,800	27.3	CG170-U3
K12.5G	12.5	494-742	78"	132 lbs.	12,600	52.7	CG170-U1	12,300	34.1	CG170-U3
K15G	15	600-989	78"	132 lbs.	14,800	61.7	CG170-U1	14,400	40	CG170-U3

Heater dimensions: 19 7/8" wide x 17 deep x 27 1/2" high, 60 lbs.

Griffin control unit

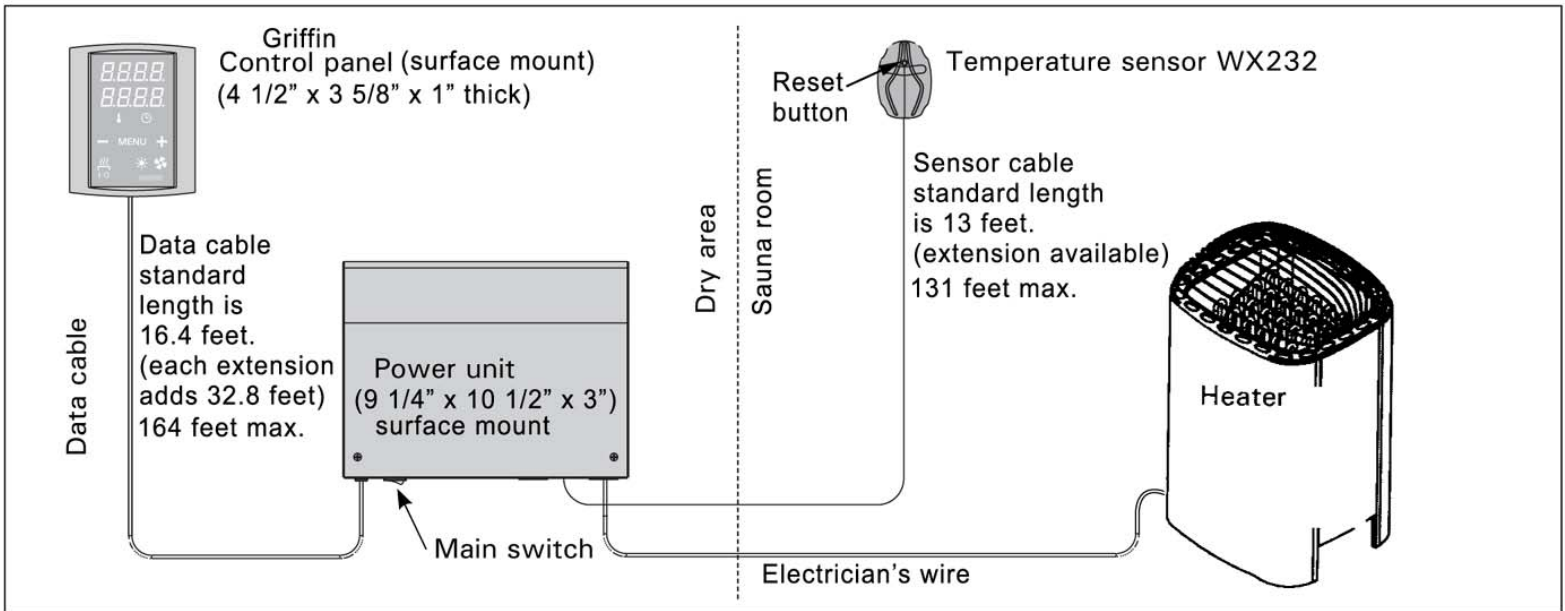


CG170-U1/CG170-U3

Harvia Griffin allows you to control practically anything that can be electronically controlled: operating time, temperature, and lighting. Using the timer you can set your sauna to be ready for bathing by the time you come home from work or a jog. Griffin is impressive inside and out. With a chrome-plated digital control panel, the style is in line with other details of modern saunas and bathrooms. Small and flat, the control panel can be installed in virtually any dry place.



Figure 1. System components



Griffin Control component specs

Griffin Control

Griffin control size is 4 1/2" x 3 5/8" x 1" thick

Surface mount, not flush mount

Griffin control has 60 min. timer plus 10 min. to 12 hour time delay feature in 10 min. increments.

Fahrenheit/Celcius readings

Can change maximum on time from 1 to 18 hours or 24 hour continuous mode (for commercial only)

Can work in conjunction with a separate programmable 7 day timeclock (commercial only)

Power Supply box

Contactors (Power Supply) box size is 9 1/4" x 10 1/2" x 3" thick

Surface mount, not flush mount

Power on/off switch

Data Cable (connects from power unit to Griffin control)

Standard length is 5m (**16.4 feet**) long, max is 50m (164 feet)

Cable extension is 10m (32.8 feet)

Data Cable + Extension = 49.2 feet Multiple Extensions can be added to it.

Temperature Sensor (connects to power supply)

Standard length is 4m (**13 feet**) long, max is 40m (131 feet)