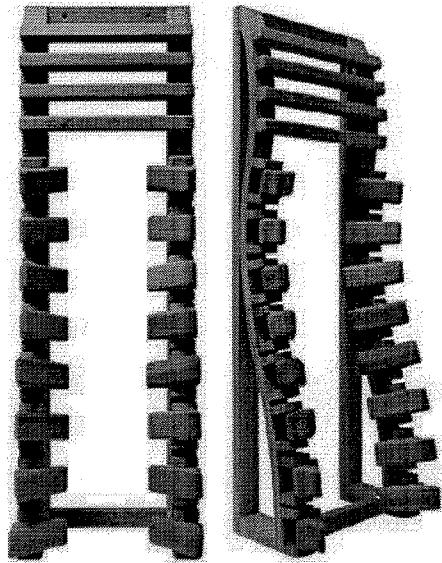


INSTALLATION MANUAL 514

The 514 backrest is good for your posture. It supports your back in an ergonomic way.

wood: Cedar | Aspen

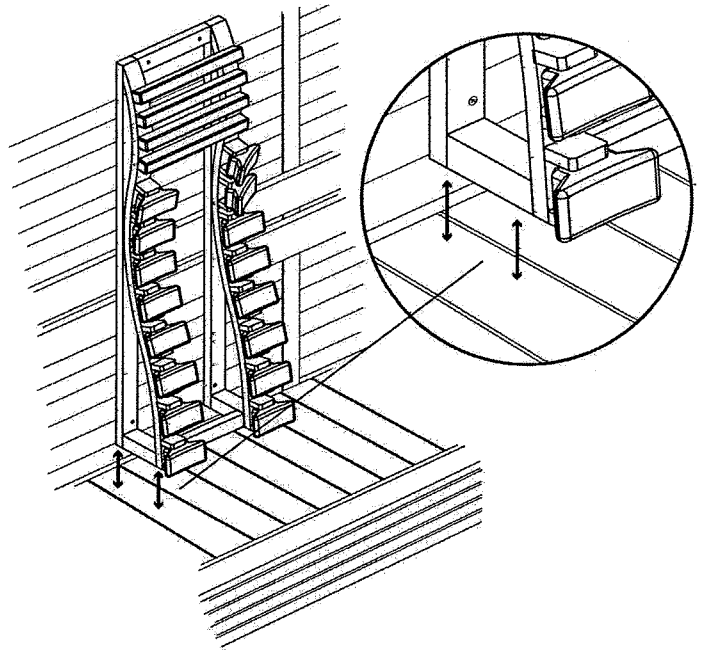


SPINAL BACKREST

Follow this manual to properly install the backrest.

514 Backrest

The 514 backrest can be installed on top of any kind of bench. Install the backrest to the height where it support your whole back and feels comfortable.



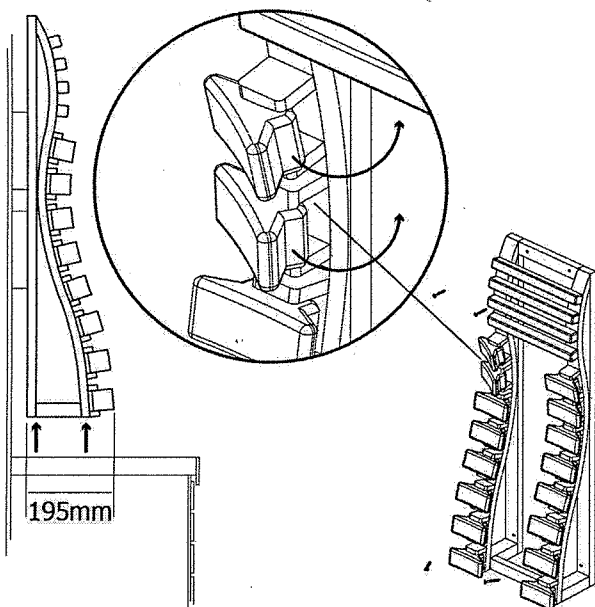
SPINAL BACKREST

Installation:

Follow the illustration below:

Screw the backrest on the holes provided. Make sure to install it in upright position.

Check that the rollers are positioned correctly when using. The rollers will automatically adjust to support the users back.



For infrared sauna

When installing the backrest, make sure that the screws won't touch the heating panels.

Do not install the backrest in a way, where the wooden parts of the backrest are in contact or directly in front of IR-radiator to prevent from overheating and burning.

