

THERMASOL®

Superior Steamshower Systems

Shower Light (SL-XX) Installation Instructions

Please read and follow the instructions completely before beginning installation.

“WARNING”

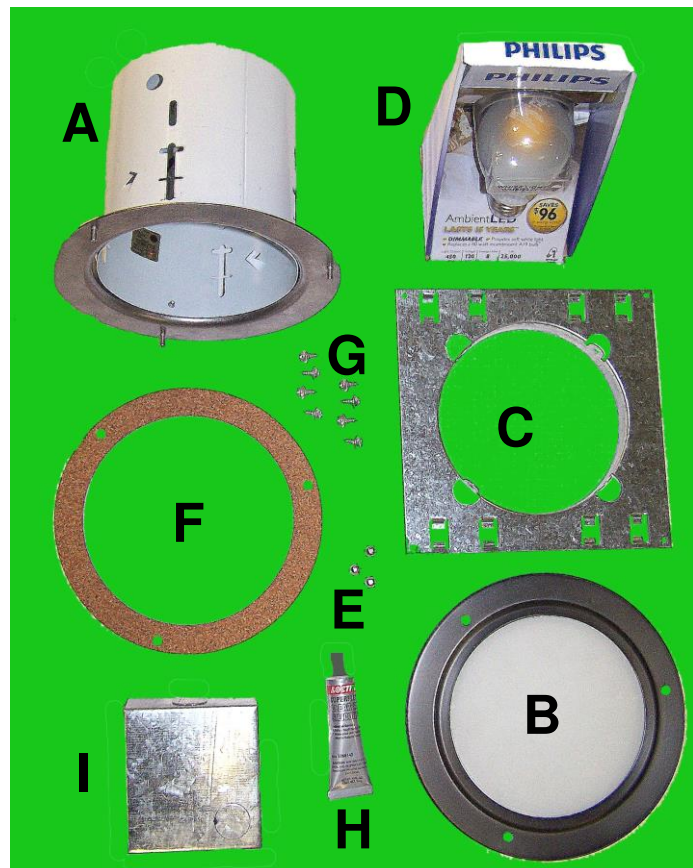
This Product must be installed according to National and Local Electrical codes. ThermaSol requires a licensed electrician to perform all electrical work.

Parts Enclosed:

- Light fixture (A)
- Plated Trim Ring (B)
- Mounting Bracket (C)
- LED Light bulb (D)
- Trim Accessory -acorn nuts (E)
- Cork Gasket (F)
- Mounting Screw-qty 8 (G)
- Silicon (H)
- Elect splice cover (I)

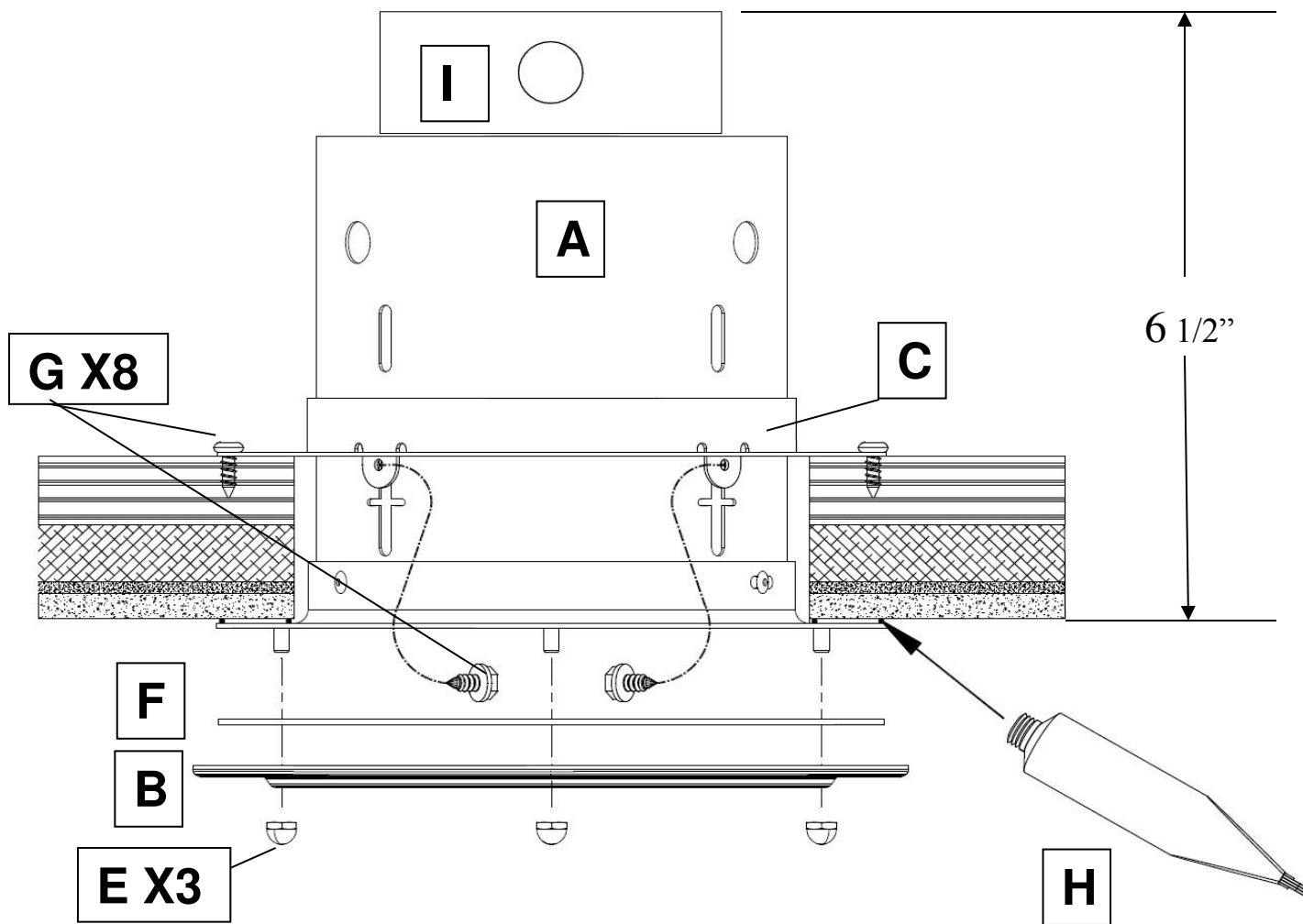
Materials Needed:

- Safety Glasses/ear plugs
- Tape Measure
- Marking Pen
- Phillips Screwdriver (shorty)
- Nut Driver
- Power drill w/ mason bit
- 5 1/2” Hole saw (or tile cutting bit)
- Appropriate wire w/assorted nuts
- Other materials as required



“WARNING” To avoid fire hazard, thermal insulation should not be installed within 6” inches of the top or within 3 inches of the side of a recessed enclosure, wiring compartment, or as required by National Electric Code.

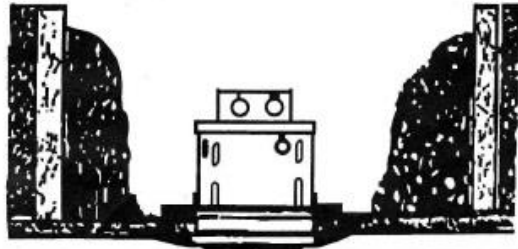
1. Cut a 5 1/2” Dia. hole in desired location. From above screw mounting bracket **C** with tabs down to suitable wood support provided between joists using 4 mounting screws **G**. Liberally apply silicon **H** to light fixture **A** to seal light fixture lip against shower ceiling surface. Line up slots in fixture to holes in mounting bracket then firmly seat fixture against ceiling allowing silicone to extrude out. Using shorty Phillips screwdriver, insert 4 screws **G** to secure fixture in place.



2. ELECTRICAL

The power to the Shower Light must be connected to a switch, which must be turned on from outside of the shower enclosure. Such as an on/off or dimmer light switch (UL approved), refer to Figure 2 for wiring with a switch. **Because there are a wide variety of switches available to you, and we do not provide the switch, refer to your specific switch installation instructions.**

- High voltage wires must be contained within conduit, high voltage connections must be within a junction box.



KNOW YOUR FIXTURE'S INTENDED USE:

This fixture is intended for use in recessed cavities or suspended ceilings where the recessed portions of the fixture, other than at points of support, are at least 1/2 inch from combustible material and 3 inches from thermal insulation. This fixture is thermally protected. A blinking of the fixture indicates thermal insulation has been placed too close to the fixture, or that an incorrect lamp has been installed.

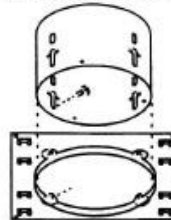
SAFETY PRECAUTIONS:

1. Read and understand instructions before attempting the installation
2. If you are unfamiliar with electrical wiring, secure the services of a qualified licenced electrician.
3. Disconnect power at electrical panel box before starting the installation.
4. All electrical wiring should be in accordance with local electrical codes and the National Electrical Code (NEC).
5. Insure fixture is properly grounded and that no bare wires are exposed after electrical connections are made. Secure all splices with wire connectors (not provided) suitable for the size, type and number of conductors involved.

PREPARE FIXTURE & MOUNTING LOCATION

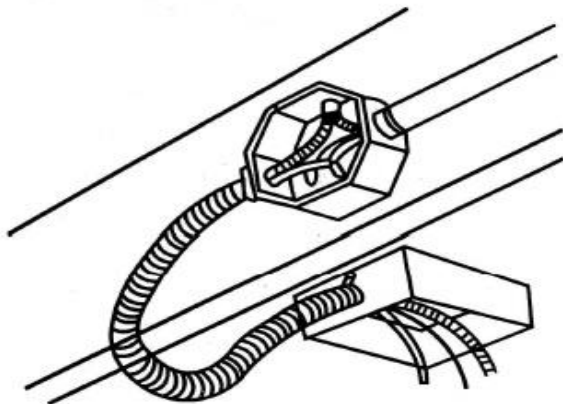
1. Secure plaster frame to the housing body with the four screws provided. The lip side of the plaster frame is to face away from the ceiling surface.
2. Check that your mounting location has the following:
 - A. Suitable spacing as noted above in the *KNOW YOUR FIXTURE'S INTENDED USE* section above.
 - B. Is there a power source suitable for the added load? Check the fixture's relamping mark for maximum wattage of the fixture.
 - C. Insure electrical power has been shut off at the electrical panel box.

3. Cut a hole in the ceiling material.
 - A. Select a location for installation and mark it. Use a compass and draw a 5-3/8 inch hole around the center point. Cut along circular line.



WARNING-RISK OF FIRE, MOST DWELLINGS BUILT BEFORE 1985 HAVE SUPPLY WIRE RATED 60°C, CONSULT A QUALIFIED ELECTRICIAN BEFORE INSTALLING.

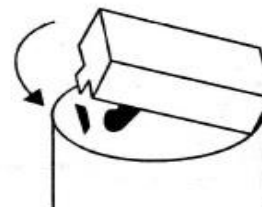
ELECTRICAL CONNECTIONS

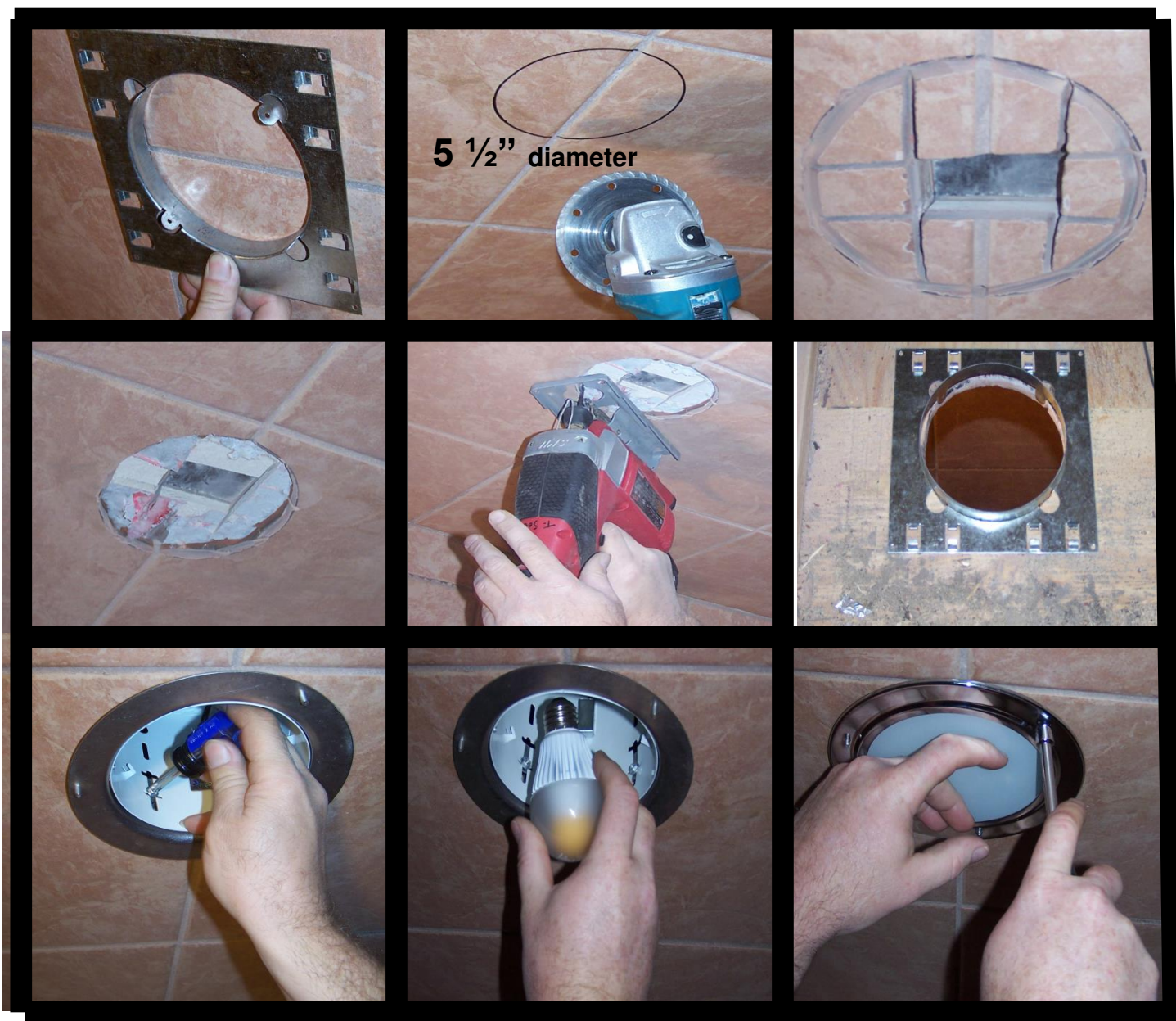


1. Run feed wires through metal conduit (not provided) to a suitable source of supply. Attach the conduit to the supply side junction box.
2. Make electrical connections at the supply end of conduit. Connect supply black (or red) to feeder black. Connect supply white to feeder white. Connect supply grounding conductor to feeder grounding conductor.
3. Remove the appropriate knockout from the fixture splice compartment cover and attach the loose end of conduit. Insure enough feed wire is exposed past the end of the conduit to make connections.
4. Make electrical connections to the fixture. Connect feeder black to fixture black. Connect feeder white to fixture white. Connect feeder grounding conductor to bare copper grounding conductor of fixture.

ATTACH SPLICE COMPARTMENT COVER TO FIXTURE:

Attach the splice compartment cover to the fixture by sliding the tabs into one side and snapping remaining tab into other slot.





9 step Quick Reference fixture installation.

Headquarters & Technical Support
1958 Steam Way, Round Rock, TX 78665 – (800) 776-0711
Mon – Fri 7:00 – 7:00 CST