

HARVIA



VIRTA COMBI HEATER

EN Owner's/Operator's Manual

Sauna heater installation, wiring, operating instructions, troubleshooting, maintenance and guarantee.

IMPORTANT! This manual must be left with owner, manager, or operator of Sauna after it is used by electrician!

MODEL

HL(S)7U1S	6.8 kW
HL(S)9U1S	9.0 kW
HL(S)11U1S	10.5 kW



Intertek
3159549

ETL LISTED
CONFORMS TO
UL STD 875
CERTIFIED TO
CAN/CSA STD
E60335-2-53-05

Dealer contact info:

Finlandia Sauna Products, Inc.
14010-B S.W. 72nd Ave., Portland, OR 97224-0088
Phone 1-800-354-3342 / 1-503-684-8289 Fax: 1-503-684-1120
Email info@finlandiasauna.com www.finlandiasauna.com

CONTENTS

WARNINGS	3
1. INSTRUCTIONS FOR USE	4
1.1. Piling of the Sauna Stones	4
1.1.1. Maintenance	4
1.2. Heating of the Sauna	4
1.2.1. Using the Heater	4
1.2.2. Throwing Water on Heated Stones	4
1.3. Heating of the Sauna Using the Steamer	5
1.3.1. Filling the Water Reservoir	5
1.3.2. Draining the Water Reservoir	5
1.4. The Use of Fragrances	5
1.5. Drying the Sauna Room	6
1.6. Cleaning the Steamer	6
1.7. Instructions for Bathing	6
1.8. Troubleshooting	6
2. THE SAUNA ROOM	7
2.1. Insulation and Wall Materials of the Sauna Room	7
2.1.1. Room construction – general information	7
2.1.2. Darkening of the Sauna Walls	7
2.2. Sauna Room Floor	7
2.3. Heater Output	7
2.4. Sauna Room Ventilation	7
2.5. Hygienic Conditions of the Sauna Room	8
3. INSTRUCTIONS FOR INSTALLATION	8
3.1. Prior to Installation	8
3.2. Place and Safety Distances	8
3.3. Heater fence	8
3.4. Installation of the Control Unit and Sensors	10
3.4.1. Suitable control units	10
3.6. Electrical Connections	10
3.7. Installing the Heater	10
3.8. Electric heater insulation resistance	10
3.9. Replacing the Heating Elements	11
3.10. Resetting the Overheat Protectors of the Heater and the Water Reservoir	11
4. SPARE PARTS	12
GUARANTEE	13
MAINTENANCE INSTRUCTIONS	14

PLEASE READ THE INSTRUCTIONS FOR USE CAREFULLY BEFORE USING THE HEATER.

WARNINGS



- Keep away from the heater when it is hot. The stones and outer surface of the heater may burn your skin.
- Do not throw too much water on the stones. The evaporating water is boiling hot.
- Do not let young, handicapped or ill people bathe in the sauna on their own.
- This appliance is not intended for use by persons (including children) with reduced physical, sensory or mental capabilities, or lack of experience and knowledge, unless they have been given supervision or instruction concerning use of the appliance by a person responsible for their safety. Children should be supervised to ensure that they do not play with the appliance.
- Consult your doctor about any health-related limitations to bathing.
- Parents should keep children away from the hot heater.
- Consult your child welfare clinic about taking little babies to the sauna.
 - age?
 - temperature of the sauna?
 - time spent in the warm sauna?
- Be very careful when moving in the sauna, as the platform and floors may be slippery.
- Do not smoke, use alcohol, or exercise in the sauna.
- Do not exceed 30 min. in the sauna at one time, as excessive exposure can be harmful to health. The sauna should not be used as an endurance test.
- Persons with poor health should consult their physicians before using the sauna.
- Do not place any combustible material over the sauna heater (towels, bathing suits, wooden bucket or ladle)!
- Hyperthermia occurs when the internal temperature of the body reaches a level several degrees above the normal body temperature of 98,6 °F. The symptoms of hyperthermia include an increase in the internal temperature of the body, dizziness, lethargy, drowsiness, and fainting.

The effects of hyperthermia include:

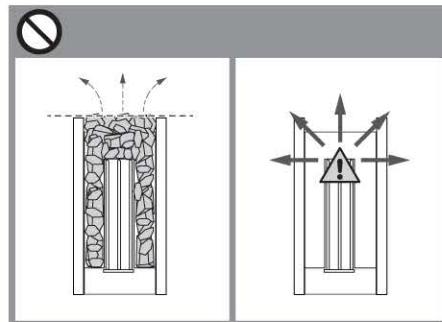
- A. Failure to perceive heat
- B. Failure to recognize the need to exit the room
- C. Unawareness of impending hazard
- D. Fetal damage in pregnant women
- E. Physical inability to exit the room
- F. Unconsciousness

WARNING – the use of alcohol, drugs, or medication is capable of greatly increasing the risk of fatal hyperthermia.

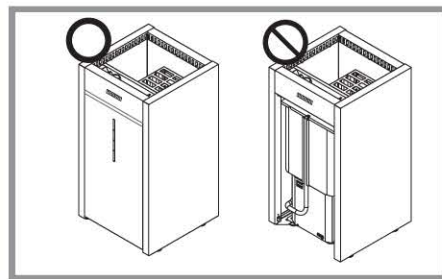
- Use only clean tap water on the stones – do not use pool or spa water, as chlorine gas can be produced and the heating elements can be damaged!
- Sea air and a humid climate may corrode the metal surfaces of the heater.
- Do not empty the water reservoir until the device has been unused for at least an hour.
- Be careful, because the hot steam may cause burns.
- No such objects or devices should be placed inside the heater rock space or near the heater that could change the amount or direction of the air flowing through the heater, thus causing the resistance temperature to rise too high, which may set the wall surfaces on fire!



Watch out for the hot surface!



- Do not operate heater without stones or if the stones has been piled incorrectly. Inadequately filled stone space causes fire risk.



- Do not operate heater without the service hatch.



Always fill the water reservoir before use!

Purpose of the electric heater:

The HL electric heater is intended for use in a well heat-insulated family sauna. It is forbidden to use the heater for any other purposes.

The guarantee period of an HL electric heater in family use is one year and in communal use, 3 months.

Please read the user's instructions carefully before using the heater.

NOTE!

These instructions for installation and use are intended for the owner or the person in charge of the sauna, as well as for the electrician in charge of the electrical installation of the heater.

1. INSTRUCTIONS FOR USE

1.1. Piling of the Sauna Stones

The piling of the sauna stones has a great effect on the functioning of the heater (figure 1).

Important information on sauna stones:

- The stones should be 2–4" (5–10 cm) in diameter.
- Use solely angular split-face sauna stones that are intended for use in a heater. Peridotite, olivine-dolerite and olivine are suitable stone types.
- **Neither light, porous ceramic "stones" nor soft soapstones should be used in the heater. They do not absorb enough heat when warmed up. This can result in damage to heating elements.**
- Wash off dust from the stones before piling them into the heater.

Please note when placing the stones:

- Do not drop stones into the heater.
- Place the stones sparsely to ensure that air can circulate between them.

- Do not form a high pile of stones on top of the heater.
- No such objects or devices should be placed inside the heater stone space or near the heater that could change the amount or direction of the air flowing through the heater.

1.1.1. Maintenance

Due to large variation in temperature, the sauna stones disintegrate in use. Rearrange the stones at least once a year or even more often if the sauna is in frequent use. At the same time, remove any pieces of stones from the bottom of the heater and replace any disintegrated stones with new ones. By doing this, the heating capability of the heater stays optimal and the risk of overheating is avoided.

⚠ Pay attention especially to the gradual settling of the stones. Be sure that the heating elements do not appear with time. The stones settle most rapidly within the first two months of piling.

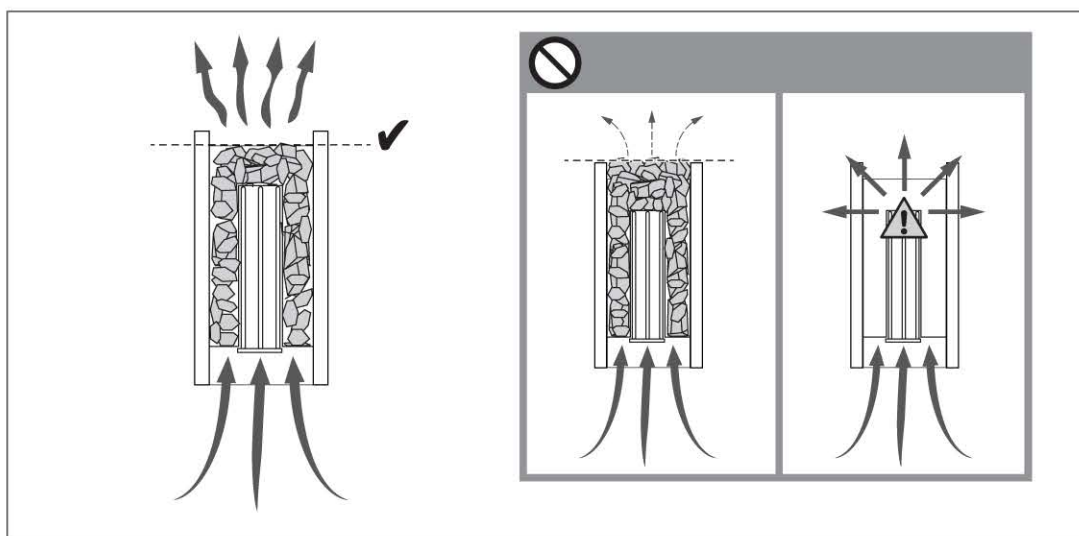


Figure 1. Piling of the sauna stones

1.2. Heating of the Sauna

When operating the heater for the first time, both the heater and the stones emit smell. To remove the smell, the sauna room needs to be efficiently ventilated.

If the heater output is suitable for the sauna room, it will take about an hour for a properly insulated sauna to reach the required bathing temperature (>2.3.). The sauna stones normally reach the bathing temperature at the same time as the sauna room. A suitable temperature for the sauna room is about 149–167 °F (65–75 °C).

⚠ Before switching the heater on always check that there isn't anything on top of the heater or inside the given safety distance.

1.2.1. Using the Heater

Heater is controlled from a separate control unit. See the instructions for use of the selected control unit model.

1.2.2. Throwing Water on Heated Stones

The air in the sauna room becomes dry when warmed up. Therefore, it is necessary to throw water on the heated stones to reach a suitable level of humidity in the sauna. The effect of heat and steam on people varies – by experimenting, you can find the levels of temperature and humidity that suit you best.

⚠ Do not pour more than a dipper (8 oz.) of water at a time. If an excessive amount of water is poured on the stones, only part of it will evaporate and the rest may splash as boiling hot water on the bathers. Never throw water on the stones when there are people near the heater, because hot steam may burn their skin.

The water to be thrown on the heated stones should meet the requirements of clean household water (table 1). Only special aromas designed for sauna water may be used. Follow the instructions given on the package.

Water property	Effect	Recommendation
Humus concentration	Colour, taste, precipitates	<12 mg/l
Iron concentration	Colour, odour, taste, precipitates	<0,2 mg/l
Hardness: most important substances are manganese (Mn) and lime, i.e. calcium (Ca)	Precipitates	Mn: <0,05 mg/l Ca: <100 mg/l
Chlorinated water	Health risk	Forbidden to use
Seawater	Rapid corrosion	Forbidden to use

Table 1. Water quality requirements

1.3. Heating of the Sauna Using the Steamer

With the Combi heater, the sauna can be heated either in the usual way or by using its evaporator.

- **Always fill the water reservoir before use!**
- The evaporator has a 1,3 gal (5 l) water tank so it can be on continuously for approximately 2 hours. The tank should be filled when the heater is cold.

1.3.1. Filling the Water Reservoir

Fill the reservoir with clean household water always before use. The maximum capacity of the reservoir is approximately 1,3 gal (5 litres). Figure 2.

Switch the device off before adding the water to the hot steamer.



Be careful, because the hot steam may cause burns.

1.3.2. Draining the Water Reservoir

Drain the water from the reservoir always after use when the water has cooled down. This procedure removes impurities condensed in the reservoir as result of evaporation.

1.3.3. Combi Heaters with an Automatic Water Filling System

N/A

1.4. The Use of Fragrances

Liquid fragrances and fragrance bags can be used in the steamer. Liquid fragrances are poured into the stone cups in the steamer. Fragrance bags are

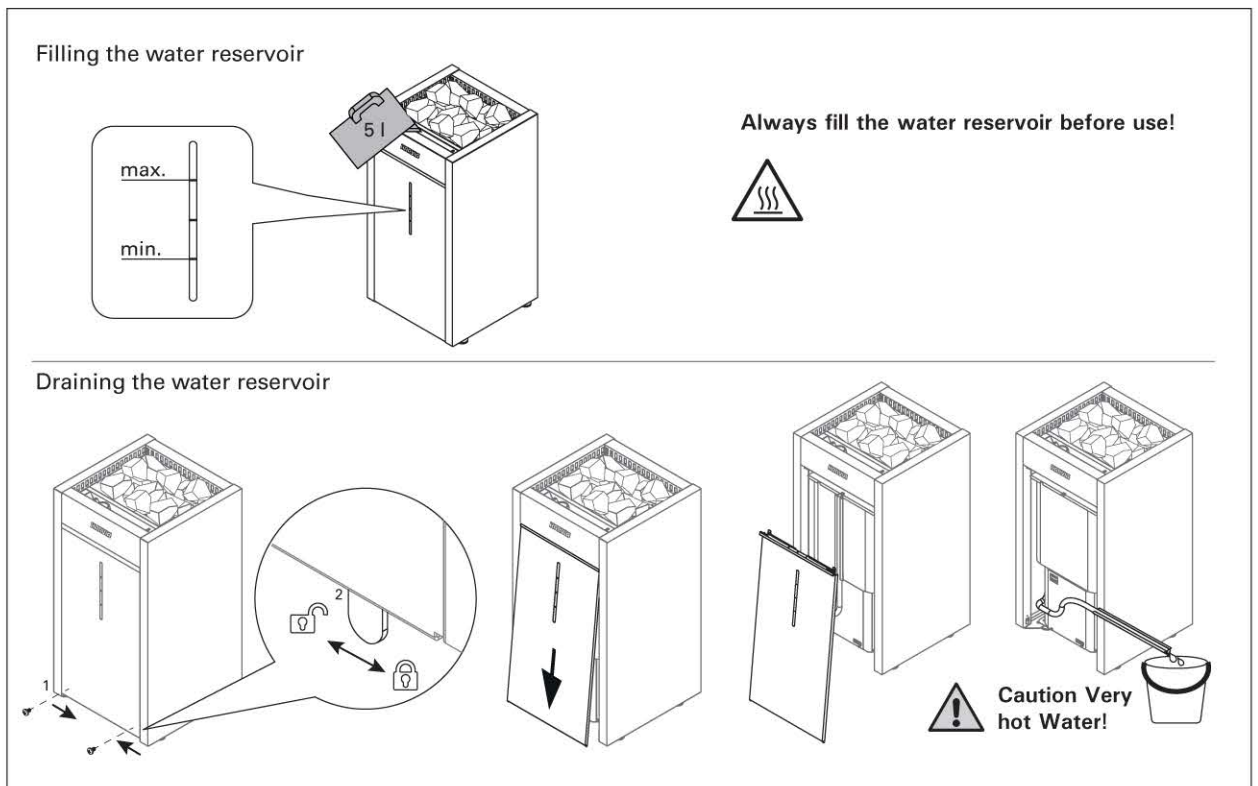


Figure 2. Filling and draining the water reservoir

placed on top of the steam grating.

When using fragrances, mind the hot steam evaporating from the steamer as it may burn. Avoid adding of water and placing of fragrances to a hot steamer.

The stone cups must be washed with running water as often as necessary.

1.5. Drying the Sauna Room

The sauna room must always be allowed to dry thoroughly after the steamer has been used. In order to speed up the drying process, the heater can be left on with the sauna ventilation also on to the maximum.

If the heater is used to help dry out the sauna room, remember to switch it off after the given period of time.


1.6. Cleaning the Steamer

Impurities from water, e.g. lime, will accumulate on the walls of the steamer's water reservoir. For decalcification we recommend decalcifying agents intended for household appliances, e.g. coffeemakers and water kettles. These agents are to be used as instructed by the manufacturer. The outside of the steamer can be cleaned with the damp cloth. When cleaning the outside, ensure that the steamer's operating switch is OFF.

1.7. Instructions for Bathing

- Begin by washing yourself.
- Stay in the sauna for as long as you feel comfortable.
- Forget all your troubles and relax.
- According to established sauna conventions, you must not disturb other bathers by speaking in a loud voice.
- Do not force other bathers from the sauna by throwing excessive amounts of water on the stones.
- Cool your skin down as necessary. If you are in good health, you can have a swim if a swimming place or pool is available.
- Wash yourself after bathing.
- Rest for a while and let your pulse go back to normal. Have a drink of fresh water or a soft drink to bring your fluid balance back to normal.

1.8. Troubleshooting

 All service operations must be done by professional licensed maintenance personnel.

If the steamer does not work, check the following:

- Is the water level in the reservoir sufficient? (see section 1.3.).
- Has the overheat protector engaged? (reset button on bottom of steamer ▷3.10.).
- Is the humidity in the sauna too high?
- Is the steamer thermostat set at maximum?
- Check that thermostat sensor of the water reservoir is over the heating element and overheat protection sensor is under the heating element (see the installation instructions for control unit).

The heater does not heat.

- Check that the breakers to the heater are in good condition.
- Check that the connection cable is connected.

- Check that the control panel shows a higher figure than the temperature of the sauna.
- Check that the overheat protectors have not gone off. Figure 11.
- Check that the breaker is switched on. Also, breaker should be correct size.

The sauna room heats slowly. The water thrown on the sauna stones cools down the stones quickly.

- Check that the breakers to the heater are in good condition.
- Check that all heating elements glow when the heater is on.
- Turn the temperature to a higher setting.
- Check that the heater output is sufficient (▷2.3.).
- Check that the sauna room ventilation has been arranged correctly (▷2.4.).

The sauna room heats quickly, but the temperature of the stones remain insufficient. Water thrown on the stones runs through.

- Turn the temperature to a lower setting.
- Check that the heater output is not too high (▷2.3.).
- Check that the sauna room ventilation has been arranged correctly (▷2.4.).

Panel or other material near the heater darkens quickly.

- Check that the requirements for safety distances are fulfilled (▷3.2.).
- Check that no heating elements can be seen behind the stones. If heating elements can be seen, rearrange the stones so that the heating elements are covered completely (▷1.1.).
- Also see section 2.1.1.

The heater emits smell.

- See section 1.2.
- The hot heater may emphasize odors mixed in the air that are not, however, caused by the sauna or the heater.

The heater makes noise.

- Occasional bangs are most likely caused by stones cracking due to heat.
- The thermal expansion of heater parts can cause noises when the heater warms up.

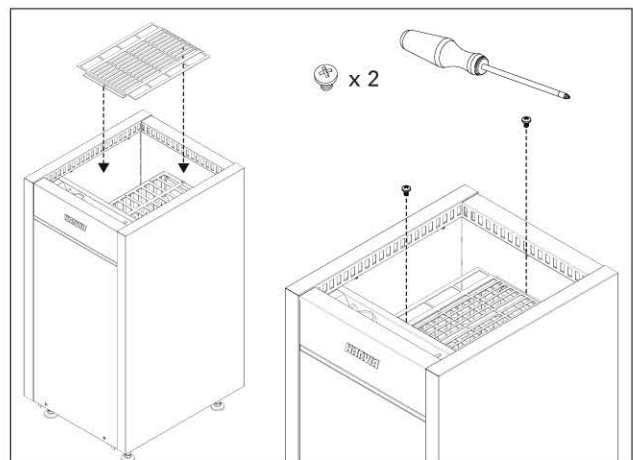


Figure 3. Installing the safety grid

2. THE SAUNA ROOM

2.1. Insulation and Wall Materials of the Sauna Room

In an electrically heated sauna, all the massive wall surfaces which store plenty of heat (such as bricks, glass blocks, plaster etc.), must be sufficiently insulated in order to keep the heater output at a reasonably low level.

A wall and ceiling construction can be considered to have efficient thermal insulation if:

- the thickness of carefully fitted insulation inside the structure is 4" (100 mm) minimum 2" (50 mm).
- the moisture protection consists of e.g. aluminium paper (building foil). The paper must be fitted so that the glossy side is towards the inside of the sauna.
- the inside is covered by 1/2" to 3/4" thick panelling.

When aiming at a reasonable heater output, it may be advisable to lower the ceiling of the sauna (minimum height 75" (1900 mm)). As a result, the volume of the sauna is decreased, and a smaller heater output may be sufficient. The ceiling can be lowered so that the ceiling joists are fixed at a suitable height. The spaces between the joists are insulated (minimum insulation 4" (100 mm)) and surfaced as described above.

Because heat goes upwards, a maximum distance of 47" (1200 mm) is recommended between the bench and ceiling.

NOTE! The protection of the walls or ceiling with heat protection, such as mineral board fitted directly on the wall or ceiling, may cause the temperature of the wall and ceiling materials to rise dangerously high.

2.1.1. Room construction – general information

FRAMING

2" x 4" (50 x 100 mm) any suitable wood material, 16" (406 mm) o.c.

CEILING HEIGHT

7'-0" is best (no higher than 8'-0" max.)

INSULATION

R13 Fiberglass in walls and ceiling.

DRYWALL

See local codes. Is not required in most residences. See local codes for commercial. If drywall is used apply 1" x 2" (25 x 50 mm) nailers so that wall and ceiling boards can be attached to solid wood.

PANELING

Use kiln-dried softwood (with moisture content not exceeding 11 %).

BENCHES

Use matching softwood. Fasten from bottom to prevent burning of bathers.

DOOR

Must open out and should not have a lock. Types of door fastenings that may be used are magnetic catches, friction catches, spring-loaded or gravity loaded door closers, and the like.

ROOM LIGHT

Should be a vapor proof, wall mounted type, with rough-in box mounted flush with inside paneling. It should be mounted 6" (150 mm) from ceiling, not directly over the sauna heater, and not over upper benches. It could be installed under benches. Light bulb should not exceed recommended watts of the light manufacturer.

Note! Receptacles OR PLUGS are not allowed in a Sauna room. If a speaker is installed in a Sauna room, it should not be installed higher than 3' (914 mm) from floor, away from the Sauna heater (consult manufacturer for ratings).

2.1.2. Darkening of the Sauna Walls

It is perfectly normal for the wooden surfaces of the sauna room to darken in time. The darkening may be accelerated by

- sunlight
- heat from the heater
- protective agents on the walls (protective agents have a poor heat resistance level)

2.2. Sauna Room Floor

Due to a large variation in temperature, the sauna stones disintegrate in use.

Small pieces of stone are washed down on the sauna room floor along with the water thrown on the rocks.

To prevent aesthetic damage only dark joint grouts and floor coverings made of ceramic or stone should be used underneath and near the heater.

2.3. Heater Output

When the walls and ceiling are covered with panels, and the insulation behind the panels is sufficient to prevent thermal flow into the wall materials, the heater output is defined according to the cubic volume of the sauna. See table 2.

Because log walls are heated slowly, the cubic volume of a log sauna should be multiplied by 1.5, and the heater output should then be selected on the basis of this information.

2.4. Sauna Room Ventilation

Should be provided by lower vent close to heater, 4" (100 mm) from floor, and upper vent on opposite wall (if possible) 6" (150 mm) from ceiling or as low as 24" (600 mm) from floor. Vents are recommended but not required. Vent R.O. size is 4" x 10".

2.5. Hygienic Conditions of the Sauna Room

Good hygienic standards of the sauna room will make bathing a pleasant experience.

The use of sauna seat towels is recommended to prevent sweat from flowing onto the platforms. The towels should be washed after each use. Separate towels should be provided for guests.

It is advisable to vacuum or sweep the floor of the sauna room in connection with cleaning. In ad-

dition, the floor may be wiped with a damp cloth.

The sauna room should be thoroughly washed at least every six months. Brush the walls, platforms and floor by using a scrubbing-brush and sauna cleanser. Then rinse the sauneroom by using clean household water. Remove lime stains from the heater using a 10% citric acid solution and rinse.

Wipe dust and dirt from the heater with a damp cloth.

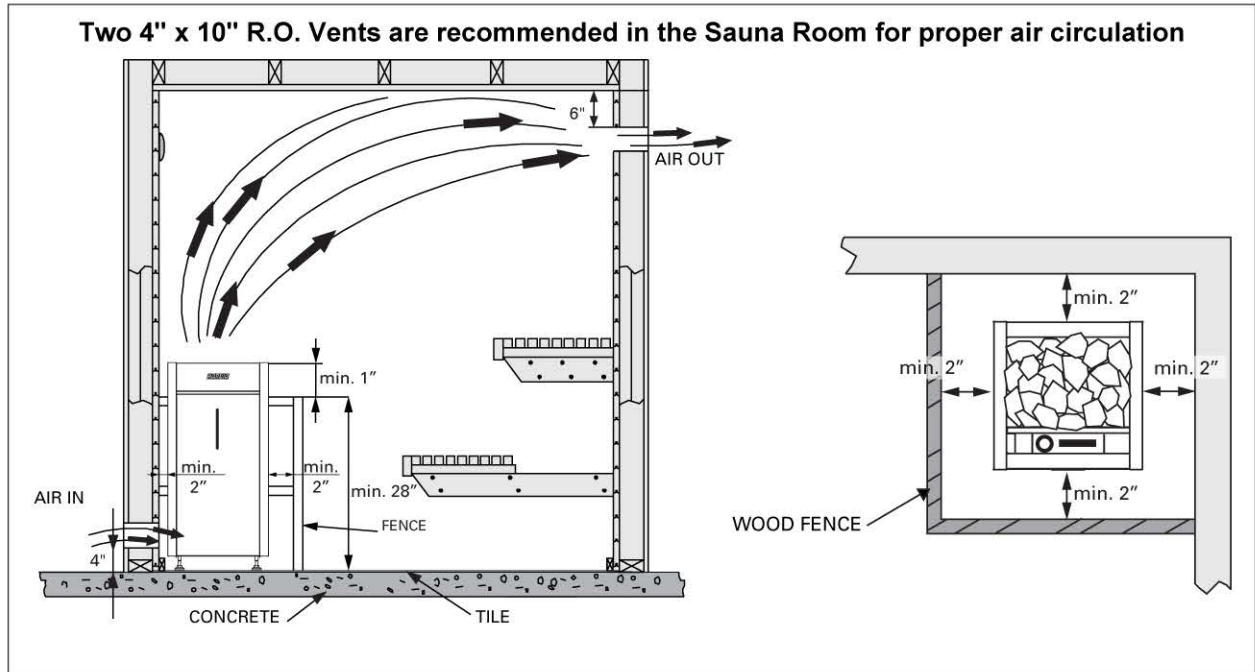


Figure 4. Ventilation of the sauna room and min. clearances from wall and fence

3. INSTRUCTIONS FOR INSTALLATION

3.1. Prior to Installation

Prior to installing the heater, read all the instructions for installation (figure 9), as well as checking the following points:

- The heater volume should be suitable for the sauna room volume. Table 2 shows the minimum and maximum volumes for each heater output. A precondition for the given values is that the sauna room is well heatinsulated. Walls and ceiling are covered with wood panel.
- Check that supply voltage and amperages are available for the heater.
- The breakers and the connection cables conform with valid regulations and their dimensions are in accordance with table 3.
- The location is suitable for the heater (3.2.).
- Note! Only one electrical heater may be installed in the sauna room.

3.2. Place and Safety Distances

The minimum safety distances are described in figure 4 and 6.

- It is absolutely necessary to install the heater according to these values. Neglecting them causes a risk of fire.
- Hot pieces of stone can damage floor coverings and cause a risk of fire. The floor coverings of the installation place should be heat-resistant.

3.3. Heater fence

It is necessary for safety and should be constructed of softwood to match sauna interior. See figures 4 and 6 for clearances from sauna heater. Fence should be attached to wall and should not be placed higher than top of heater below rock line.

Heater	Output	Vaporizer		Dimensions		Stones	Sauna room								
		Out-put	Max. va-porisation efficiency	Width/Depth/Height	Weight		Cubic vol.			Floor Area		Height			
	kW	kW	kg/h	inch mm	lb/kg	max. lb/kg		min. CuFt/m ³		max. CuFt/m ³		min sqft	max sqft	min. inch/mm	
HL(S)7U1S	6.8	2.1	2.5	16/16/33	70 29	110 50	176 5	354 10	28	57	75	1900			
				415/410/840											
HL(S)9U1S	9.0	2.1	2.5	16/16/33	70 29	110 50	282 8	494 14	40	79	75	1900			
				415/410/840											
HL(S)11U1S	10.5	2.1	2.5	16/19/33	77 32	154 70	317 9	636 18	60	102	75	1900			
				415/485/840											

Table 2. Installation details of the heater

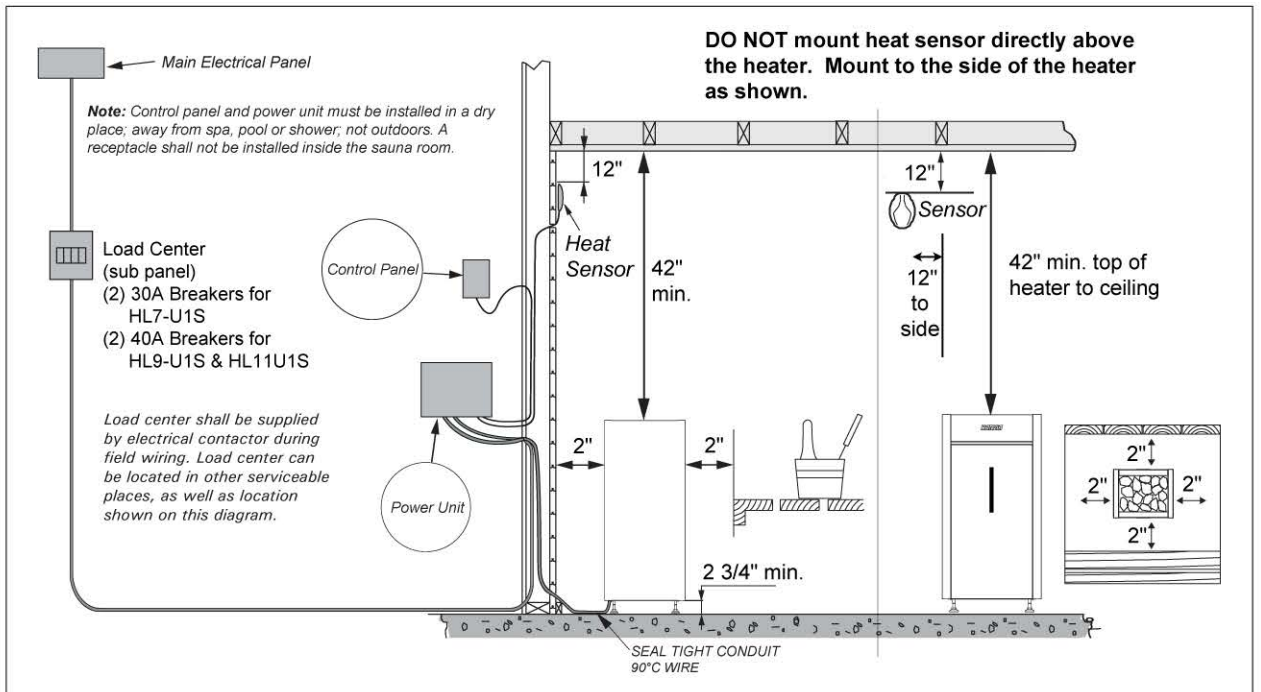


Figure 6. Sauna control / Minimum safety distances / Installing the temperature sensor

Heater Model	Input kW	Voltage	Ph	Amps	Wires Main Breaker to Load Center	Wires Load Center to Power Unit	Wires Power Unit to Heater	Control to use
HL(S)7U1S	6.8 + 2.1	240	1	37.1	(2) #6+G	(4) #10 + N + G	(5) #10 + (3) #14 + G	CX30C-U1
HL(S)9U1S	9.0 + 2.1	240	1	46.25	(2) #6+G	(4) #8 + N + G	(5) #8 + (3) #14 + G	CX30C-U1
HL(S)11U1S	10.5 + 2.1	240	1	52.5	(2) #4+G	(4) #8 + N + G	(5) #8 + (3) #14 + G	CX30C-U1

Table 3. Supply wires

All supply wire to be 90 °C copper

3.4. Installation of the Control Unit and Sensors

- The control unit includes detailed instructions for fastening the unit on the wall and installing the humidity sensor.
- Install the sensor (WX248), which comes with the heater, as shown in figure 6.

⚠ Do not place the supply air vent so that the air flow cools the temperature sensor.

3.4.1. Suitable control units

- Harvia CX30C-U1

See more detailed information from table 3.

Heater grade setting of the control unit: See table 4.

Please read the instructions of the control unit.

3.5. N/A

3.6. Electrical Connections

The heater may only be connected to the electrical network in accordance with the current regulations by an authorised, licensed professional electrician.

The wiring diagrams are included in the control unit's installation instruction.

Further instructions concerning exceptional installations can be obtained from local electrical authorities.

1. Remove heater from carton and place in proper location in sauna room. Observe proper clearances as per figures 4 and 6.
2. See applicable wiring diagram for heater model (figure 8, see control unit manual for detailed instructions how to connect the heater and the control unit). Heater must be permanently installed by using seal tight conduit between the heater and the wall of the sauna room (pigtailes or plugs are not allowed in the sauna room). Wiring must be done by a licensed electrician, who must follow wiring diagram provided and adhere to local codes. Use proper AWG rated wire size and use copper wire suitable for 194 °F (90 °C) within sauna walls. Use grounding terminals provided in sauna heater and control unit to properly ground the equipment as per NEC and local codes.
3. Inside the heater box there are two signs. Please place the metal "CAUTION" sign on the interior wall of the sauna room directly above the heater in a visible place (screws and nails included). Place the metal "WARNING" sign outside, on the door of the sauna room. "MAINTENANCE INSTRUCTIONS" are at the end of this manual.

3.7. Installing the Heater

See figure 9.

- Connect cables to the heater.
- Place the heater and adjust the heater vertically straight using the adjustable legs.

3.8. Electric heater insulation resistance

When performing the final inspection of the electrical installations, a "leakage" may be detected when measuring the heater's insulation resistance. The reason for this is that the insulating material of the heating resistors has absorbed moisture from the air (storage transport). After operating the heater for a few times, the moisture will be removed from the resistors.

Heater model	Heater grade setting of the control units
HL(S)7U1S	d4
HL(S)9U1S	d4
HL(S)11U1S	d2

Table 4. Heater grade setting of the control unit

Do not connect the power feed for the heater through GFI (Ground Fault Interrupter)!

3.9. Replacing the Heating Elements

See figure 10.

3.10. Resetting the Overheat Protectors of the Heater and the Water Reservoir

See figure 11. If the temperature of the sauna room becomes dangerously high, the overheat protector (1) will permanently cut off the supply of the heater. The overheating protector (1) can be reset after the heater has cooled down. Please check that the stones are piled properly and the sensor is installed according the installation instructions. See also the installation instructions for control unit.

If water reservoir empties during the use, the overheat protector (2) cuts off the steamer power. The overheating protector (2) can be reset after the steamer has cooled down.

The reset button is located under the heater.

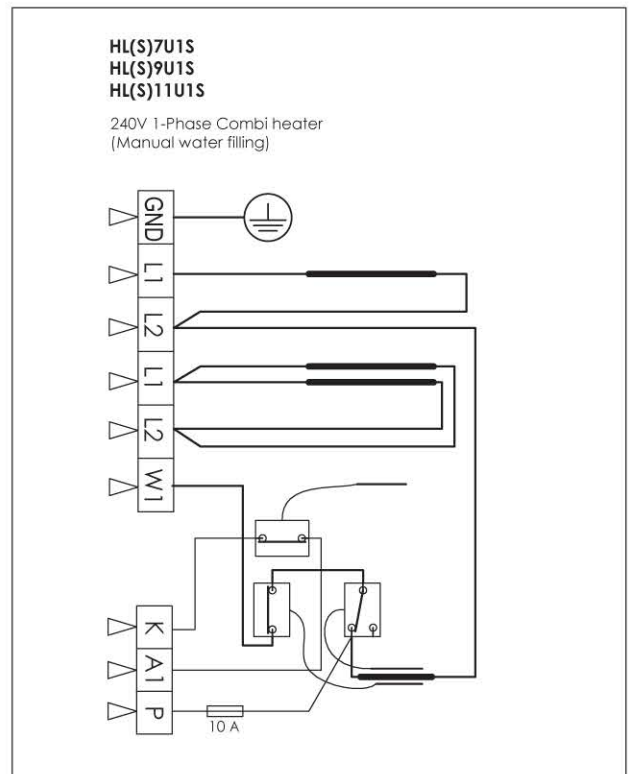


Figure 8. Electrical connections of heater

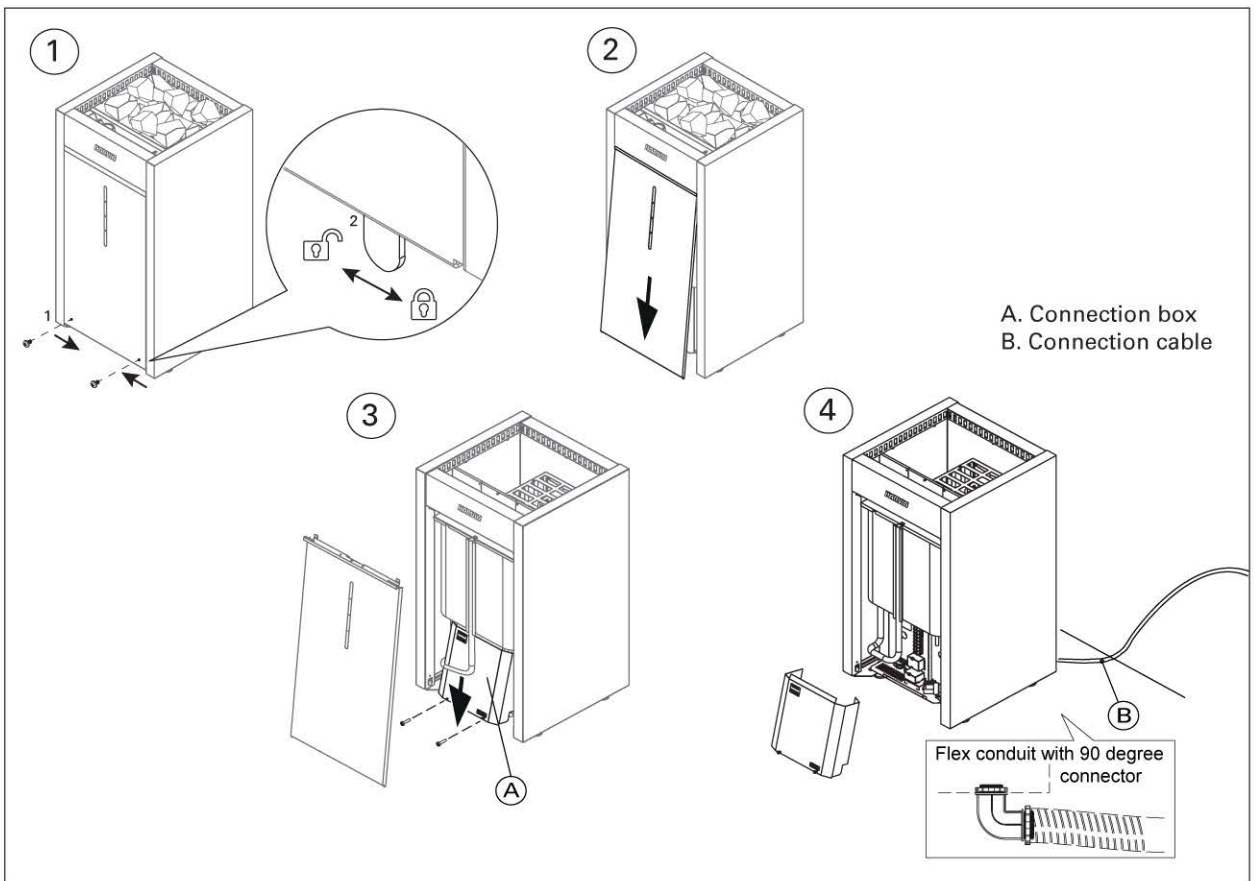


Figure 9. Opening the cover of the service hatch. Connections of the heater

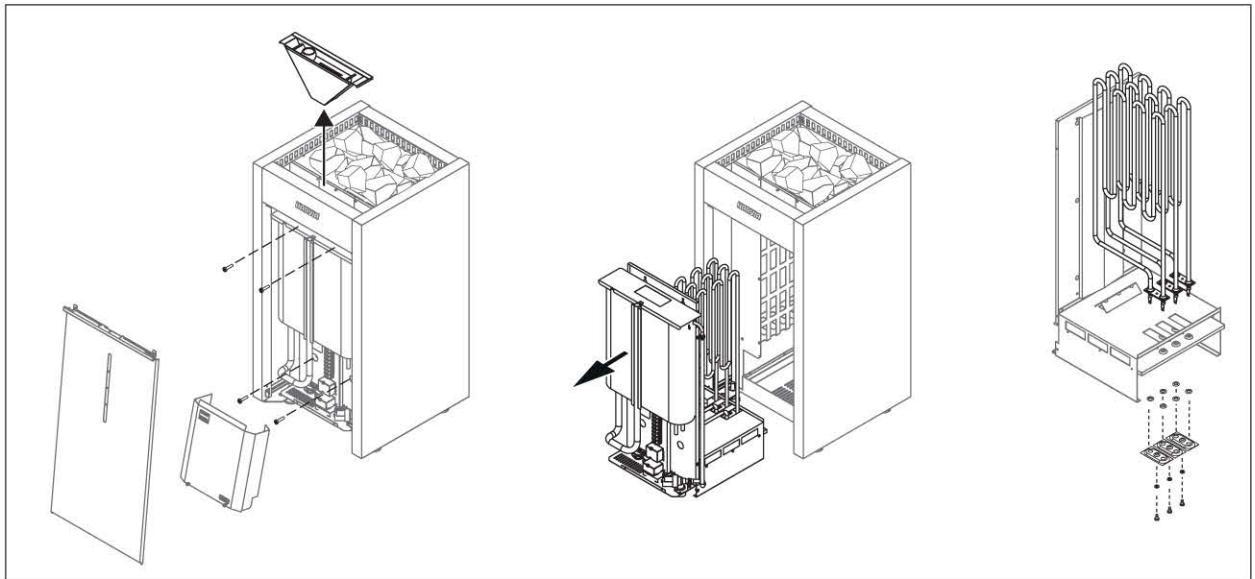


Figure 10. Replacing the Heating Elements

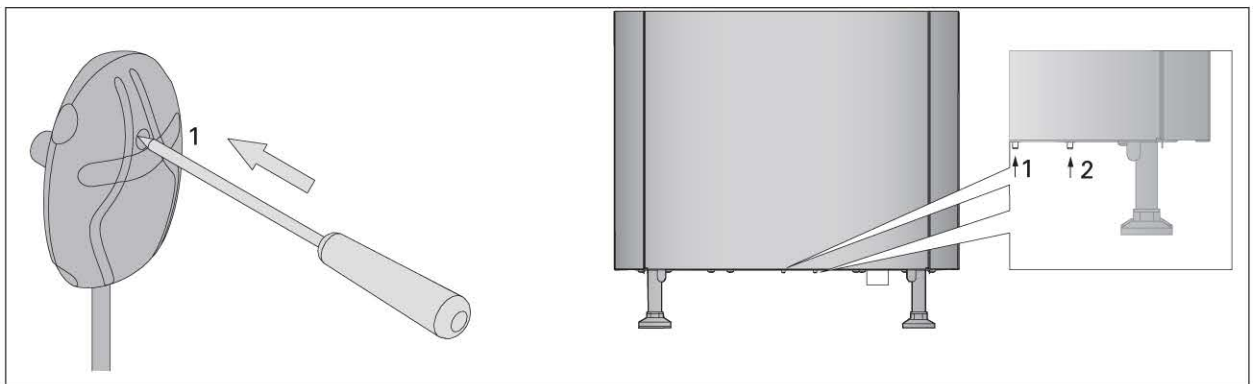
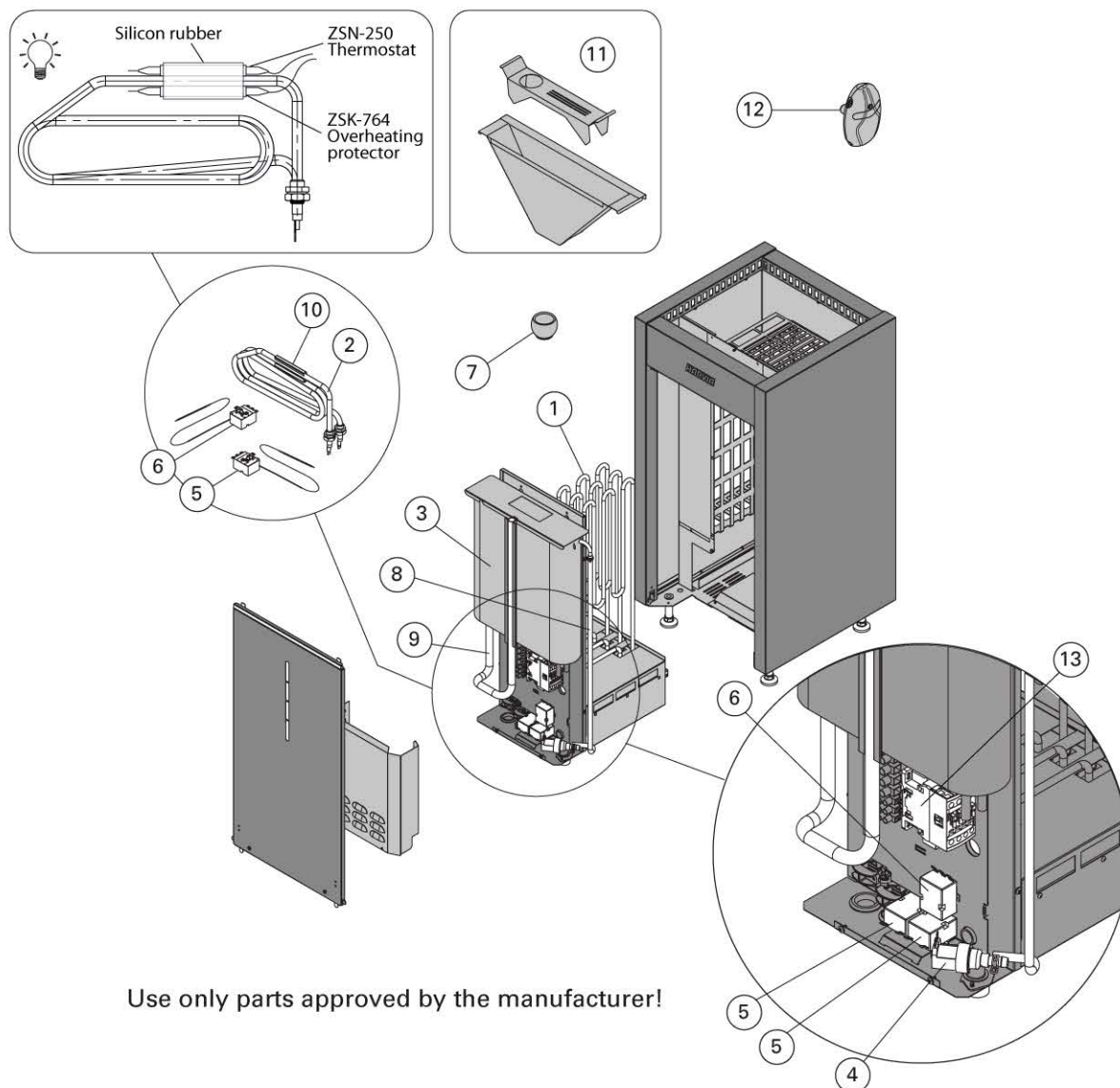


Figure 11. Resetting the Overheat Protectors of the Heater and the Water Reservoir

4. SPARE PARTS



Use only parts approved by the manufacturer!

1	Heating element 2250 W/240 V Heating element 3000 W/240 V Heating element 3500 W/240 V	Y10-0010 Y10-0009 Y10-0007	HL(S)7U1S(A) HL(S)9U1S(A) HL(S)11U1S(A)	3 3 3
2	Evaporator heating element, assembled 2100 W/240 V	ZH-104		1
3	Water reservoir, assembled	ZCU-115		1
4	Solenoid valve	ZSS-610	HL(S)7U1S HL(S)9U1S HL(S)11U1S	1
5	Overheating protector 140°C	ZSK-764		1
6	Thermostat 110°C	ZSN-250		1
7	Soapstone cup	ZH-205		1
8	Silicon hose 7/10	ZCU-350 / ZH-170		1
9	Silicon hose 12/16	ZCU-352 / ZH-175		1
10	Bracket for thermostat	ZH-128		1
11	Steam control	ZCU-614		1
12	Temperature sensor	WX248		1
13	Contactur	ZSK-778		1

MAINTENANCE INSTRUCTIONS

1. Use only clean water on sauna stones. **Do not** use spa or pool water as it will destroy your heater.
2. Clean water should always be used in sauna buckets and water should be dumped out after every use. Scour buckets and dippers occasionally when film collects from usage. Use plastic bucket liner in bucket to prevent water leakage.
3. Scrub benches with a soft brush, using soap and water or a mild disinfectant, when needed — about once a week in commercial saunas, or depending upon sauna usage. For sanitation, each bather should sit or lie on a towel (this will prolong bench life).
4. Remove possible removable flooring and wash waterproof floor with disinfectant about once a week or as often as needed. Hose off removable flooring to clean.
5. To maintain beautiful appearance of Sauna heater, remove water stains by wiping with a damp cloth occasionally.
6. Our heaters require no special maintenance when properly installed by a qualified electrical contractor. After 1–2 years of usage, the rocks may need replacing if they have crumbled or powdered (depending upon sauna usage).
7. We strongly recommend a floor that can be easily cleaned (concrete, ceramic tile, or a poured type of flooring). When this is provided, the sauna can be easily cleaned and kept in a sanitary condition with little effort. A carpet is NOT recommended for a sauna! A carpet becomes a perfect breeding ground for bacteria in the moist conditions of a sauna; and a carpet promotes the spread of foot diseases such as athlete's foot. For the same reasons, wooden duckboard should not be used for flooring.
8. In new construction, a floor drain should also be provided, especially in commercial saunas for sanitary cleaning and maintenance.
9. Seal wood around glass in door—inside and outside—with waterproofing wood protector to prevent warpage.
10. When sauna wood becomes stained from perspiration, the wood may be lightly sanded with fine sandpaper to restore beautiful appearance. We do not recommend stains or sealers as toxic vapors may appear when heated. However, 2 coats of waterproofing wood protector may be used on the wood benches in a commercial sauna, so that the wood may be more easily cleaned and kept sanitary — the wood will not absorb perspiration.
11. The sauna room will heat faster if the higher vent is kept in a closed position when heating. The lower vent may always be kept in an open position.
12. Required warning signs should be posted according to the instructions.



GUARANTEE

The manufacturer gives a one year guarantee for this heater. The guarantee starts from the date of purchase and includes all the parts of the heater (heating elements, controls, contactors, etc.).

The guarantee covers faults from the manufacture and material only. The guarantee includes a supply of spare parts by the manufacturer or importer after the faulty parts have been returned. Replacing any parts in the heater does not extend the original guarantee period of one year.

The guarantee does not cover defects caused by normal wear and tear, defects caused by improper installation, poor maintenance or failure to follow the manufacturer's instructions for installation, use and care, or alterations made to the product. The guarantee is void if the heater is used improperly. The guarantee does not cover delivery costs of the faulty part or repair costs on the field. If the heater is returned to the manufacturer or importer within five years from the date of purchase, the importer will provide free repair work, but may charge for spare parts if the one-year guarantee has expired.

The guarantee is void if installation and wiring has not been carried out by licensed electrician or authorized and licensed service representative. Please note that the installer's signature is needed below.

The guarantee is void if the information below is not filled out and returned to the manufacturer or importer within 15 days of purchase. The guarantee applies only to the first installation of the product and to the original purchaser.

Harvia heater model	_____
Serial number	_____
Date of purchase	_____
Original purchaser	_____
Address	_____ _____ _____
Purchased from	_____
Date of electrical installation	_____
Signature of the installer	_____
License number of installer	_____