



Harvia Spirit

EN Owner's/Operator's Manual

Sauna heater installation, wiring, operating instructions, troubleshooting, maintenance and guarantee.

IMPORTANT! This manual must be left with owner, manager, or operator of Sauna after it is used by electrician!

FR Manuel de l'utilisateur/opérateur

Instructions d'installation, de câblage et d'utilisation, dépannage, entretien et garantie du poêle de sauna.

IMPORTANT! Ce manuel doit être remis au propriétaire, au gérant ou à l'opérateur du sauna après avoir été utilisé par l'électricien !

MODEL

HSPE60U1M	6.0 kW	240 V
HSPE80U1M	8.0 kW	240 V



Harvia US Inc.
3567 Jefferson St. N,
Lewisburg, WV 24901
+1 304-497-3991

08122023 B



ETL LISTED
CONFORMS TO
UL STD 875



Y05-1238

These instructions for installation and use are intended for the owner or the person in charge of the sauna, as well as for the electrician in charge of the electrical installation of the heater. After completing the installation, the person in charge of the installation should give these instructions to the owner of the sauna or to the person in charge of its operation. Please read the instructions for use carefully before using the heater.

WARNINGS AND NOTES.....	3
TECHNICAL DATA.....	5
INSTRUCTIONS FOR INSTALLATION.....	6
Before installation.....	6
Safety distances.....	6
Installing the Heater.....	8
Placing of sauna stones.....	10
Heater Fence.....	12
Installation of the Control Unit and Sensor.....	12
Electrical connections.....	14
Electric Heater Insulation Resistance.....	14
Resetting the Overheat Protector.....	14
Replacing the Heating Elements.....	15
SAUNA ROOM.....	16
Insulation and Wall Materials of the Sauna Room.....	16
Heater Output.....	17
Blackening of the Sauna Walls.....	17
Sauna Room Floor.....	17
Sauna room ventilation.....	17
Sauna Room Hygiene.....	18
OPERATING INSTRUCTIONS.....	19
Throwing Water on Heated Stones.....	19
Water quality requirements.....	19
Heating of the Sauna.....	19
Using the Heater.....	19
Instructions for Bathing.....	20
Troubleshooting.....	20
MAINTENANCE INSTRUCTIONS.....	21
GUARANTEE.....	21
SPARE PARTS.....	42

EN: Delivery contents

- ✓ Sauna heater
- ✓ Temperature sensor 125 °C / 257 °F
- ✓ Mounting screws
- ✓ Wall mounting bracket
- ✓ Instructions for Installation and Use
- ✓ Caution and warning signs

Les présentes instructions d'installation et d'utilisation sont destinées au propriétaire ou à la personne en charge du sauna, ainsi qu'à l'électricien réalisant l'installation électrique du poêle. Une fois l'installation terminée, la personne en charge de celle-ci est tenue de remettre ces instructions au propriétaire du sauna ou à la personne en charge de son exploitation. Veuillez lire attentivement les instructions d'utilisation avant d'utiliser le poêle.

AVERTISSEMENTS ET REMARQUES.....	22
DONNÉES TECHNIQUES.....	24
INSTRUCTIONS D'INSTALLATION.....	25
Avant l'installation.....	25
Distances de sécurité.....	25
Installation du poêle.....	27
Placement des pierres de poêle.....	29
Ceinture de protection du poêle.....	31
Installation du centre de contrôle et du capteur.....	31
Connexions électriques.....	33
Résistance d'isolement du poêle électrique.....	33
Réinitialisation de la sécurité-surchauffe.....	33
Remplacement des résistances.....	34
CABINE DE SAUNA.....	35
Isolation du sauna et matériaux muraux.....	35
Noircissement des murs du sauna.....	36
Revêtement de sol du sauna.....	36
Ventilation de la cabine de sauna.....	36
Puissance des poêles.....	36
Hygiène de la cabine de sauna.....	37
INSTRUCTIONS D'UTILISATION.....	38
Arrosage des pierres chauffées.....	38
Exigences en matière de qualité de l'eau.....	38
Chauffage du sauna.....	38
Utilisation du poêle.....	38
Instructions concernant la séance de sauna.....	39
Dépannage.....	39
INSTRUCTIONS D'ENTRETIEN.....	40
GARANTIE.....	40
PIÈCES DÉTACHÉES.....	42

FR: Contenu de la livraison

- ✓ Poêle électrique
- ✓ Capteur de température 125 °C / 257 °F
- ✓ Vis de montage
- ✓ Support mural
- ✓ Instrucciones de instalación y uso
- ✓ Signes de précaution et d'avertissement

**READ THE WARNINGS AND MANUAL CAREFULLY BEFORE USING THE PRODUCT!****WARNINGS**

- The sauna heater is designed for the heating of a sauna room to bathing temperature. It is not to be used for any other purpose! The control unit is meant for controlling the functions of a sauna and a sauna heater. It is not to be used for any other purpose!
- For household use only!
- Keep away from the heater when it is hot. The stones and outer surface of the heater may burn your skin.
- Do not throw too much water on the stones. The evaporating water is boiling hot.
- Do not let young, handicapped or ill people bathe in the sauna on their own.
- This appliance is not intended for use by persons (including children) with reduced physical, sensory or mental capabilities, or lack of experience and knowledge, unless they have been given supervision or instruction concerning use of the appliance by a person responsible for their safety. Children should be supervised to ensure that they do not play with the appliance.
- Consult your doctor about any health-related limitations to bathing.
- Parents should keep children away from the hot heater.
- Consult your child welfare clinic about taking little babies to the sauna (age, temperature of the sauna, time spent in the warm sauna?)
- Be very careful when moving in the sauna, as the platform and floors may be slippery.
- Do not smoke, use alcohol, or exercise in the sauna.
- Do not exceed 30 min. in the sauna at one time, as excessive exposure can be harmful to health. The sauna should not be used as an endurance test.
- Persons with poor health should consult their physicians before using the sauna.
- Do not place any combustible material over the sauna heater (towels, bathing suits, wooden bucket or ladle)!
- Hyperthermia occurs when the internal temperature of the body reaches a level several degrees above the normal body temperature of 98,6 °F. The symptoms of hyperthermia include an increase in the internal temperature of the body, dizziness, lethargy, drowsiness, and fainting.
The effects of hyperthermia include:
 - A. Failure to perceive heat
 - B. Failure to recognize the need to exit the room
 - C. Unawareness of impending hazard
 - D. Fetal damage in pregnant women
 - E. Physical inability to exit the room
 - F. Unconsciousness
- The use of alcohol, drugs, or medication is capable of greatly increasing the risk of fatal hyperthermia.
- Use only clean tap water on the stones – do not use pool or spa water, as chlorine gas can be produced and the heating elements can be damaged!
- Sea air and a humid climate may corrode the metal surfaces of the heater.

- No such objects or devices should be placed inside the heater rock space or near the heater that could change the amount or direction of the air flowing through the heater, thus causing the resistance temperature to rise too high, which may set the wall surfaces on fire!
- Do not operate heater without stones or if the stones has been piled incorrectly. Inadequately filled stone space causes fire risk.
- Always inspect the sauna room before restarting the timer.
- Note! Use only rounded heater stones.
- Appliance is only to be used with provided support



CAUTION:

In order to avoid a hazard due to inadvertent resetting of the THERMAL CUT-OUT, this appliance must not be supplied through an external switching device, such as a timer, or connected to a circuit that is regularly switched on and off by the utility

EN



DO NOT COVER!



BE CAREFUL OF HOT STEAM WHEN USING THE APPLIANCE!



WATCH OUT FOR THE HOT SURFACE!

Technical data

		HSPE60U1M	HSPE80U1M
Installation details	Max. Power, kW	6	8
	Operating Voltage	240 VAC	240 VAC
	Frequency	50/60 Hz	50/60 Hz
	Total Amperage	25.0	33.3
	Supply wire size, AWG	10	8
	Total Amperage - two separate supply circuits**	16.7	22.3
	Supply wire size, AWG - two separate supply circuits**	12	10
	Connection cable type	Copper supply wire, Temperature rating min. 194 °F / 90 °C	Copper supply wire, Temperature rating min. 194 °F / 90 °C
	Weight lbs. / kg	28,8 / 13	28,8 / 13
	Stones	Rounded stones Ø 5–10 cm / -50 kg	Rounded stones Ø 5–10 cm / -50 kg
Storage temperature	0 - 50 °C	0 - 50 °C	
Dimensions	Height inch /mm	29,5" / 750 mm	29,5" / 750 mm
	Width inch /mm	15" / 385 mm	15" / 385 mm
	Depth inch /mm	13,1" / 334 mm	13,1" / 334 mm
Saunaroom	Volume Cu.Ft / m3	177 - 294 / 5 - 8	177 - 431 / 5 - 12
	Floor Area Sq.Ft	28 - 47	28 - 69
	Saunaroom height min. inch/mm	75 / 1900	75 / 1900
Approved Accessories	Embedding flange	HSP1	HSP1
	Safety railing	HSP3M	HSP3M
Suitable Control units		Harvia Xenio CX30-U1-U3 Harvia Xenio CX45-U1-U3 Harvia Xenio CX30-U1-U3-XW Harvia Xenio CX45-U1-U3-XW	Harvia Xenio CX30-U1-U3 Harvia Xenio CX45-U1-U3 Harvia Xenio CX30-U1-U3-XW Harvia Xenio CX45-U1-U3-XW
Control unit settings	Heater grade*	B1	C1

EN

*see control unit manual ** see circuit diagram

Before installation



See **WARNINGS AND NOTES!**

Before installing the heater, study the instructions for installation. Check the following points:

- The heater volume should be suitable for the sauna room volume. See the minimum and maximum volumes for each heater output > *Technical data*. A precondition for the given values is that the sauna room is well heatinsulated. Walls and ceiling are covered with wood panel.
- Check that supply voltage and amperages are available for the heater.
- The breakers and the connection cables conform with valid regulations and their dimensions are in accordance with > *Technical data*.
- The location is suitable for the heater > *Technical data*, > *Image 2. Safety distances*.
- **Note! Only one electrical heater may be installed in the sauna room.**

Safety distances

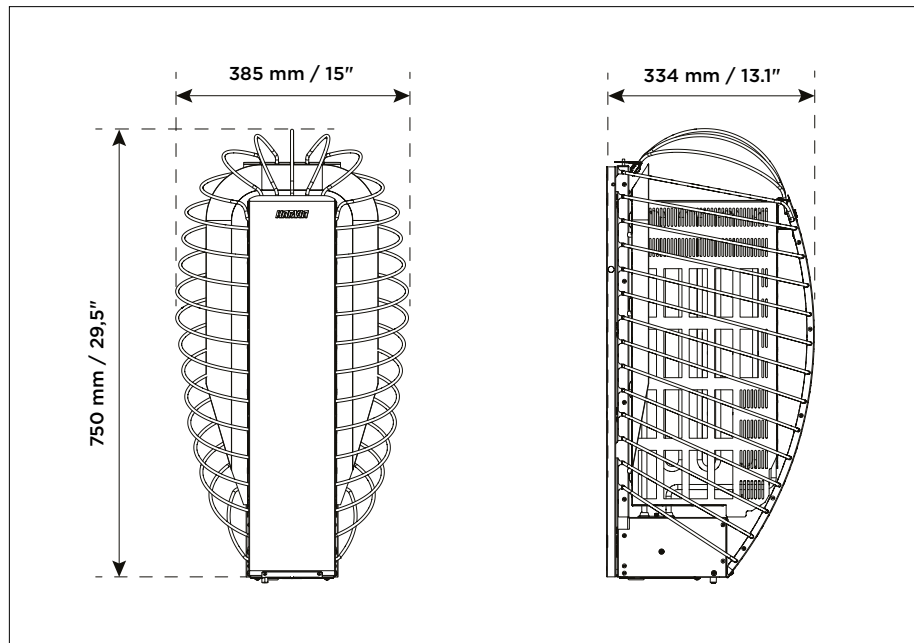
The minimum safety distances are shown in > *Image 2. Safety distances*.



It is absolutely necessary to install the heater according to these values. Neglecting them causes a risk of fire.

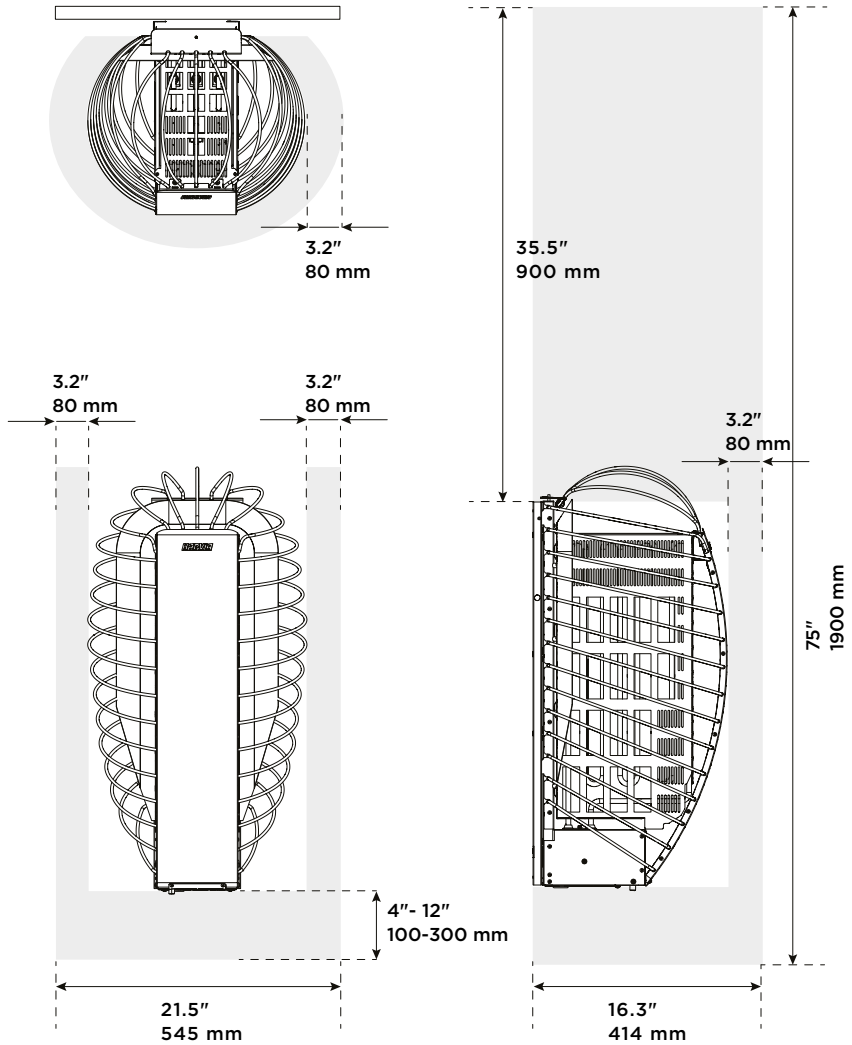


Hot pieces of stone can damage floor coverings and cause a risk of fire. The floor coverings of the installation place should be heat-resistant.



1. Dimensions

min. inch / mm

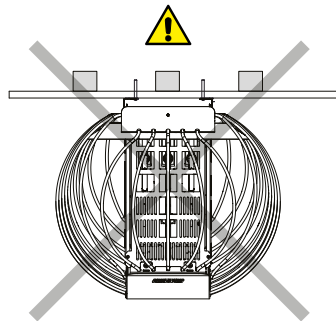
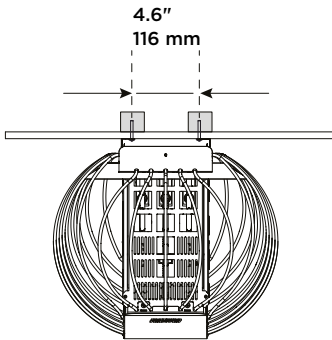
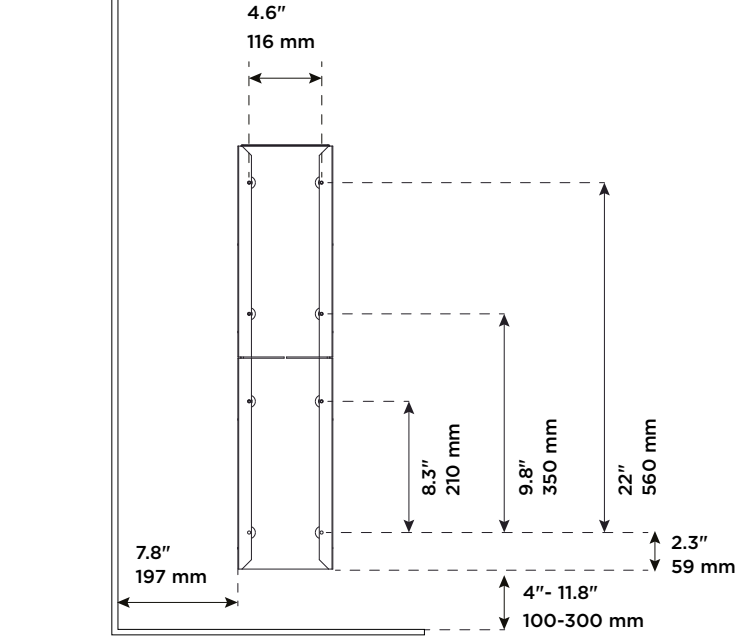


EN

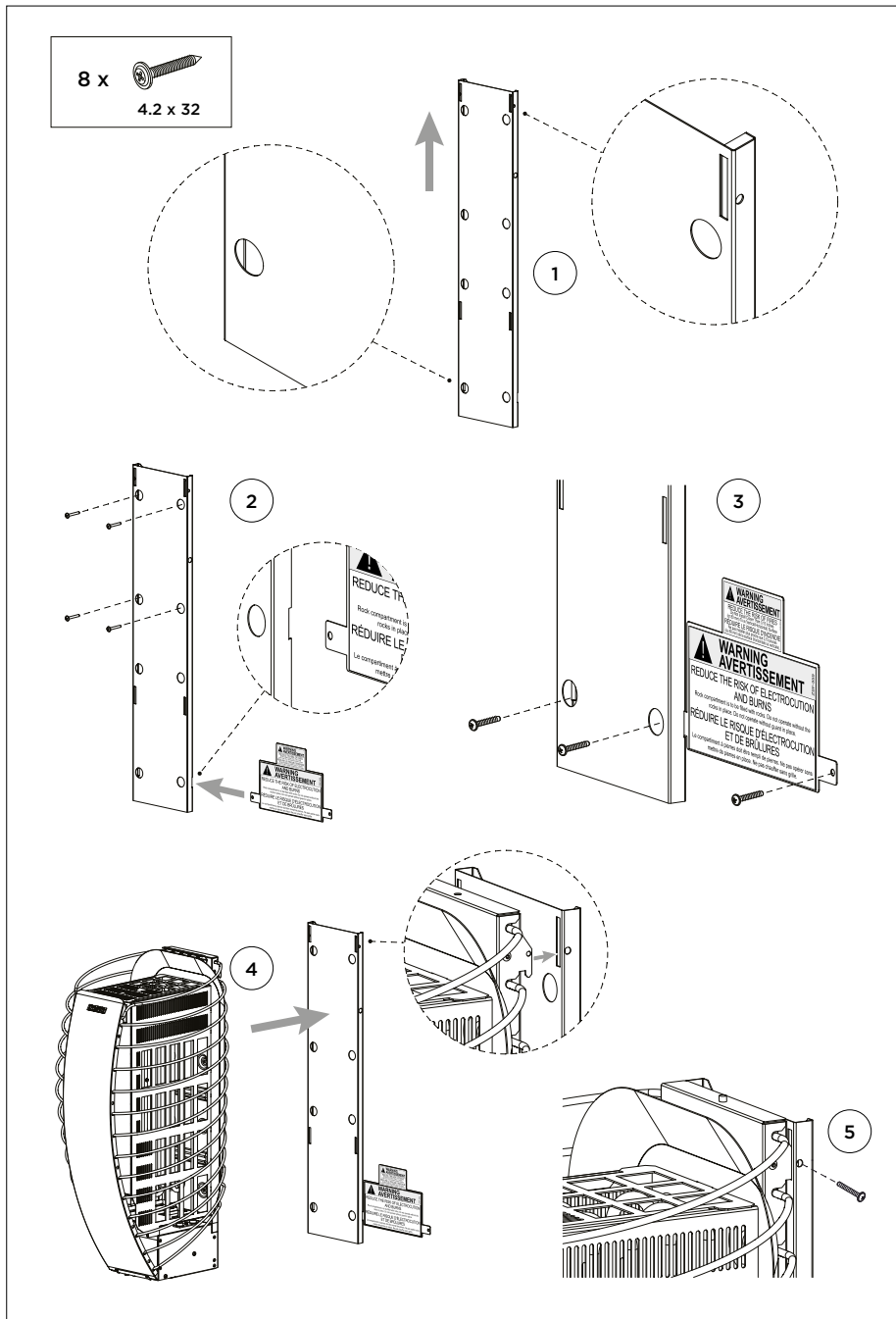
2. Safety distances

Installing the Heater

min. inch / mm



3. Installing the heater



4. Installing the heater

Placing of sauna stones



The placing of sauna stones has a major effect on the heater's safety and steam-creation properties.

See Images > 5. *Piling of the Sauna Stones*, > 6. *Safety function*

Important information about sauna stones:

- 50 kg is a suitable amount. The amount of stones varies, depending on the type of stone.
- Only stones with a diameter of 2-4" (5-10 cm) are allowed.
- **The stone surface may be rounded. The use of stones with a cleavage surface is not allowed.**
- Suitable stone materials are peridotite, olivine diabase and olivine.
- Ceramic 'stones' and soft soapstone are not allowed. They do not absorb enough heat as the heater is being used. Soft stones may crumble and block the air vents. This may break the heating elements and cause the product to behave unlike it was designed.
- Rinse any stone dust off the stones before placing them in the heater.

How placing the stones, observe the following:

- Start with the biggest stones, placing them at the bottom and sides. This ensures sufficient air ventilation and forms a steady base for the stone space.
- Place the stones closely against the steel grid, and loosely at the top. Make sure the heating elements are not visible between the stones. A dense layer will prevent direct heat radiation from overheating materials around the heater. Placing stones loosely in the middle will allow air to flow through the heater, heating the sauna and sauna stones well.
- Place stones one by one. Do not drop them in the stone space.
- Before using the heater for the first time, make sure that the stones cannot fall off.
- We recommended that you keep some extra stones in store to replace broken ones or to add any if the stone level becomes lower over time.



Do not place any items or devices in the stone space or its vicinity that can change the amount or direction of air flowing through the heater.



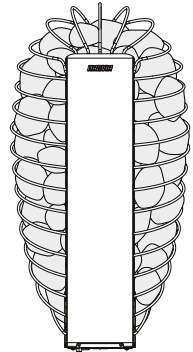
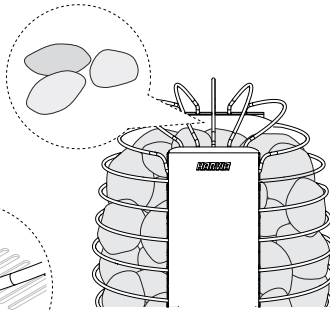
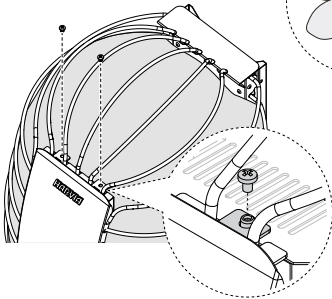
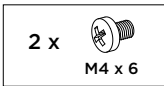
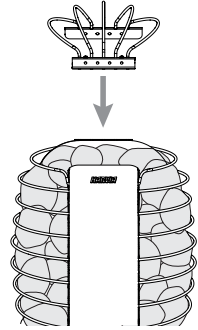
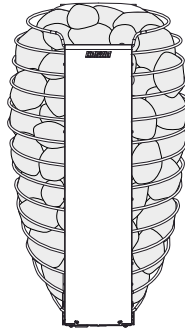
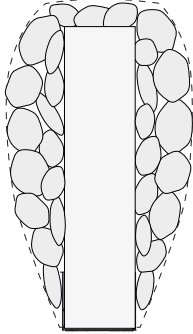
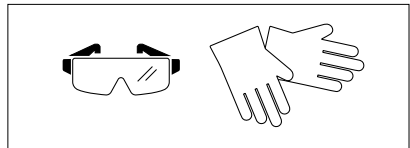
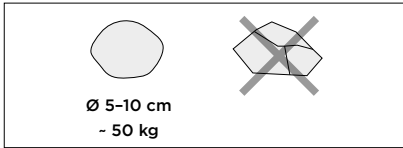
If a heating element is not surrounded by stones, it can heat materials dangerously hot, even beyond the heater's safety distances. Make sure that the heating elements are not visible beyond the stones. As the user, you are responsible for ensuring that the stone space is properly maintained throughout the heater's life cycle.

Maintenance:

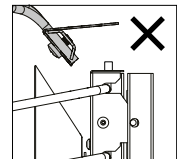
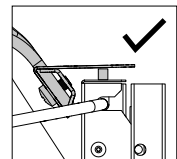
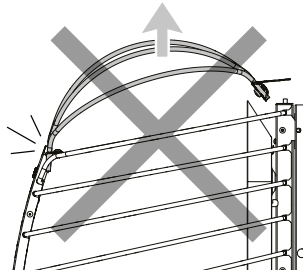
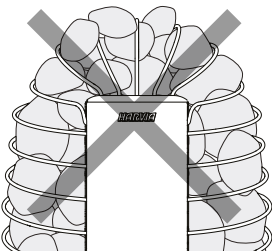
- Due to large variation in temperature, the sauna stones disintegrate in use. Rearrange the stones at least once a year or even more often if the sauna is in frequent use. Replace any disintegrated stones with new ones. By doing this, the heating capability of the heater stays optimal and the risk of overheating is avoided.

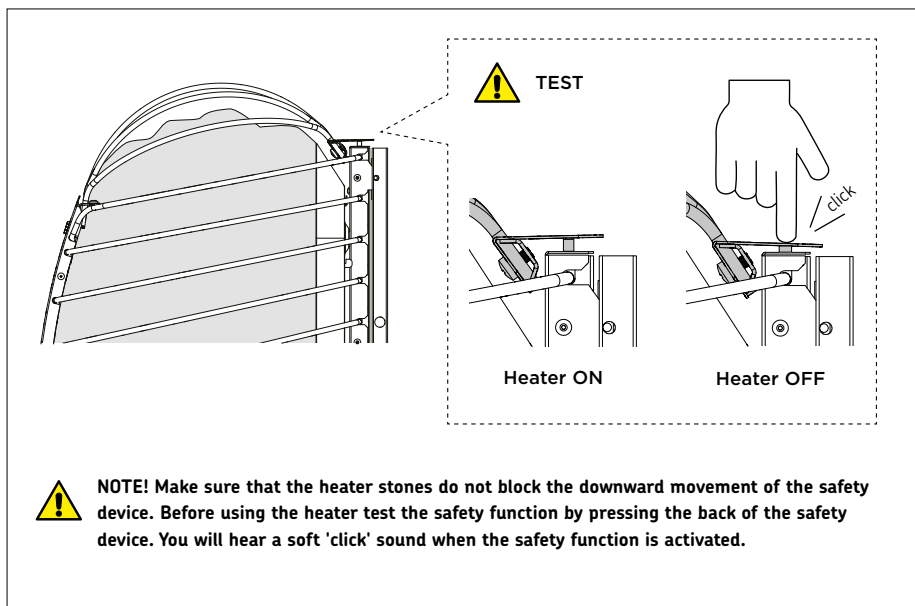


Check occasionally whether the stone level has become lower. Make sure that the heating elements do not become visible over time. The stone level is likely to become lower in about two months after the stones have been placed.



NOTE! Do not lift or bend.





6. Safety function

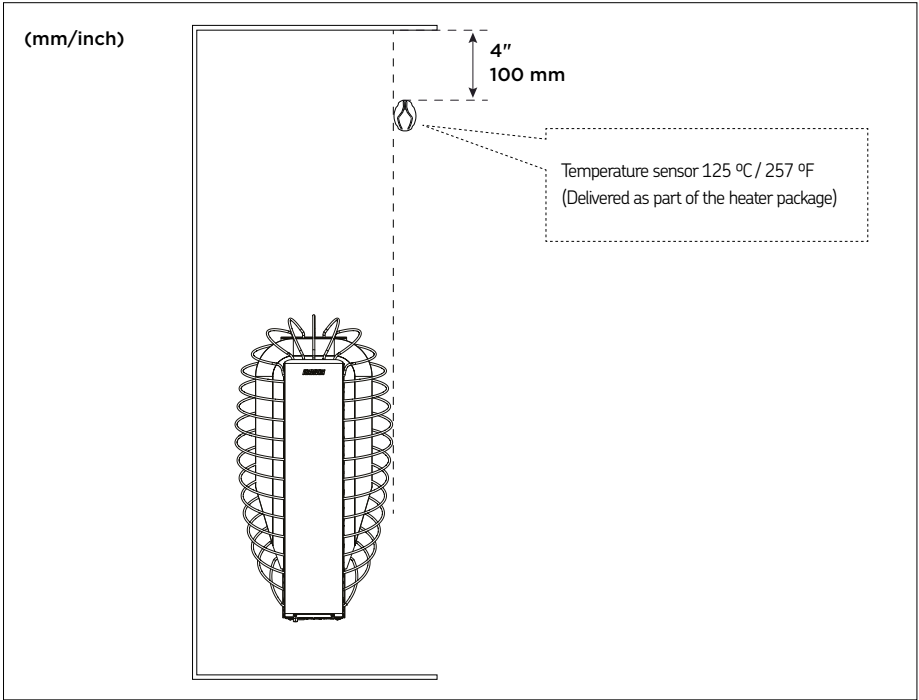
Heater Fence

It is necessary for safety and should be constructed of softwood to match sauna interior. See > *Image 2. Safety distances* for clearances from sauna heater. Fence should be attached to wall and should not be placed higher than top line of the heater

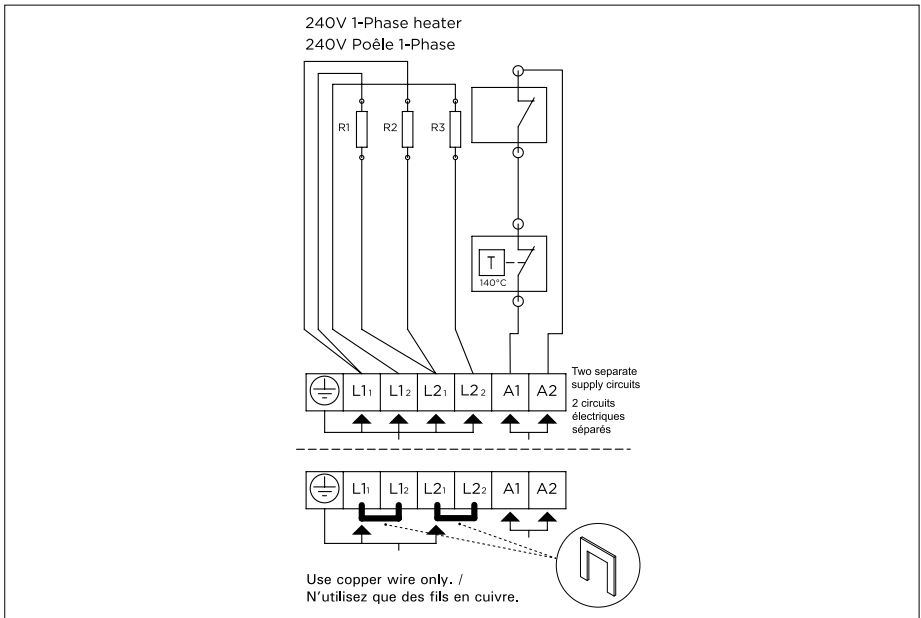
Installation of the Control Unit and Sensor

- **Suitable control units** > *Technical data*
- The control unit includes detailed instructions for fastening the unit on the wall. **Please read the instructions of the control unit.**
- Control unit heater grade setting > *Technical data*
- Install the temperature sensor (125 °C / 257 °F) delivered as part of the heater package > *Image 7. Installation of the Sensor.*

! Do not place the supply air vent so that the air flow cools the temperature sensor.



7. Installation of the Sensor



8. Electrical Connections

Electrical connections



The heater may only be connected to the electrical network in accordance with the current regulations by an authorised, professional electrician.

- > *Image 8. Electrical Connections*
 - The wiring diagrams are included in the control unit's installation instruction.
 - **Interconnecting cord conductor from Control Unit Assembly to Electric Sauna Heater to have minimum 8 AWG. Listed strain relief to be installed on Electric Sauna Heater.**
 - Further instructions concerning exceptional installations can be obtained from local electrical authorities.
1. Remove heater from carton and place in proper location in sauna room. Observe proper clearances > *Image 2. Safety distances*
 2. See applicable wiring diagram for heater model (See control unit manual for detailed instructions how to connect the heater and the control unit). Heater must be permanently installed by using seal tight conduit between the heater and the wall of the sauna room (pigtailes or plugs are not allowed in the sauna room). Wiring must be done by a licensed electrician, who must follow wiring diagram provided and adhere to local codes. Use proper AWG rated wire size and use copper wire suitable for 194 °F (90 °C) within sauna walls. Use grounding terminals provided in sauna heater and control unit to properly ground the equipment as per NEC and local codes.
 3. Inside the heater box there are two signs. Please place the metal "CAUTION" sign on the interior wall of the sauna room directly above the heater in a visible place (screws and nails included). Place the metal "WARNING" sign outside, on the door of the sauna room. "MAINTENANCE INSTRUCTIONS" are at the end of this manual.

Electric Heater Insulation Resistance

When performing the final inspection of the electrical installations, a "leakage" may be detected when measuring the heater's insulation resistance. The reason for this is that the insulating material of the heating elements has absorbed moisture from the air (storage, transport). After operating the heater for a few times, the moisture will be removed from the heating elements.



Do not connect the power feed for the heater through the RCD (residual current device)/GFI (Ground Fault Interrupter)!

Resetting the Overheat Protector

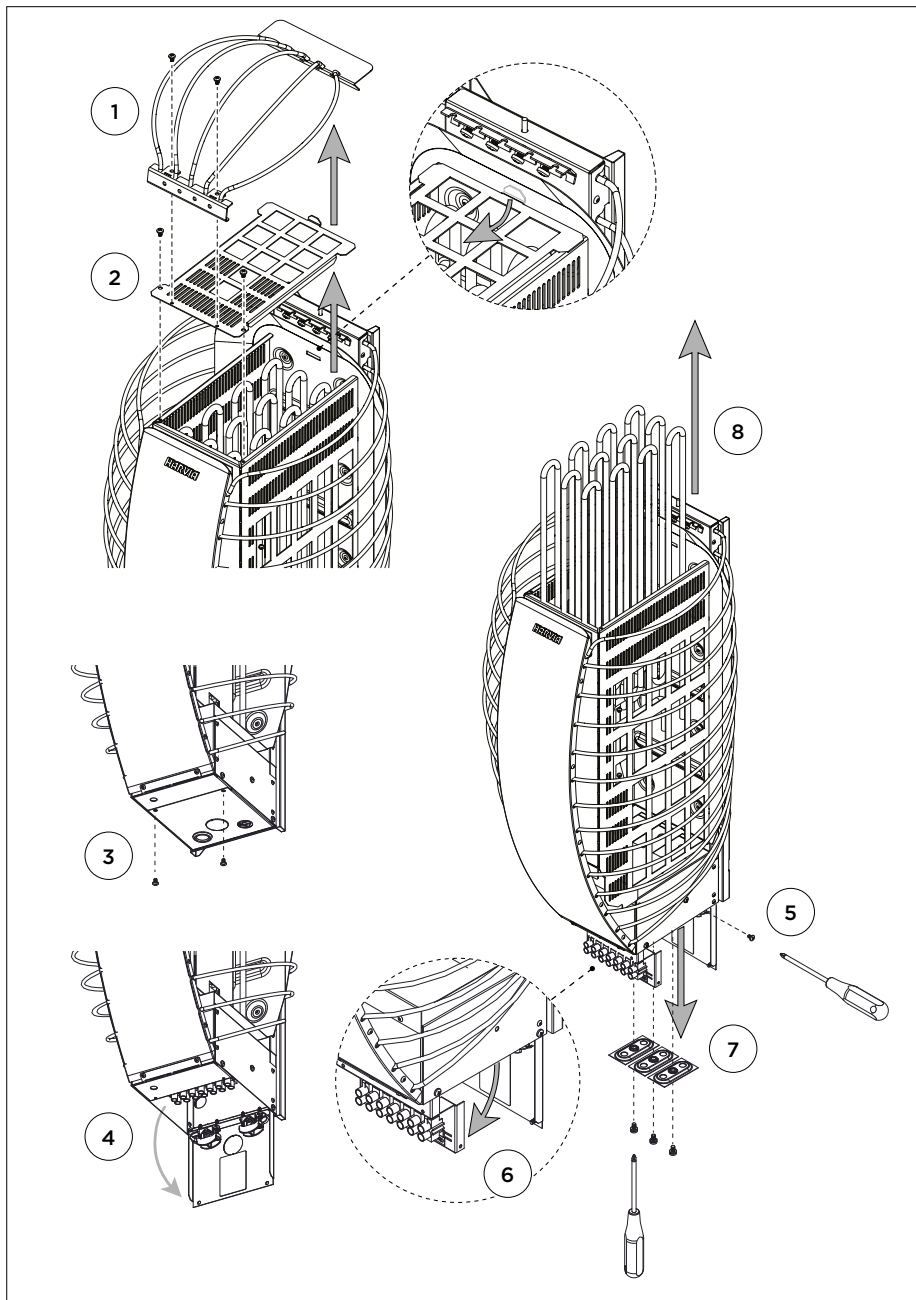
If the temperature of the sauna room becomes dangerously high, the overheat protector will permanently cut off the supply of the heater. The overheating protectors can be reset after the heater has cooled down. Please check that the stones are piled properly and the sensor is installed according the installation instructions. **See the operating Instructions of the selected control unit model.**



The reason for overheating must be resolved before resetting the overheat protector!

Replacing the Heating Elements

EN



9. Replacing the Heating Elements



See **WARNINGS AND NOTES!**
See **TECHNICAL DATA!**

Insulation and Wall Materials of the Sauna Room

In an electrically heated sauna, all the massive wall surfaces which store plenty of heat (such as bricks, glass blocks, plaster etc.), must be sufficiently insulated in order to keep the heater output at a reasonably low level.

A wall and ceiling construction can be considered to have efficient thermal insulation if:

- the thickness of carefully fitted insulating wool inside the structure is 4" (100 mm) minimum 2" (50 mm).
- the moisture protection consists of e.g. aluminium paper with tightly taped edges. The paper must be fitted so that the glossy side is towards the inside of the sauna.
- there is a 1/4" (10 mm) vent gap between the moisture protection and panel boards (recommendation).
- the inside is covered by 1/2" – 5/8" (12–16 mm) thick panelling.
- there is a vent gap of a few millimetres at the top of the wall covering at the edge of the ceiling panelling.

When aiming at a reasonable heater output, it may be advisable to lower the ceiling of the sauna (minimum height 82,7" (2100 mm)). As a result, the volume of the sauna is decreased, and a smaller heater output may be sufficient. The ceiling can be lowered so that the ceiling joists are fixed at a suitable height. The spaces between the joists are insulated (minimum insulation 4" (100 mm)) and surfaced as described above. Because heat goes upwards, a maximum distance of 47" (1200 mm) is recommended between the bench and ceiling.

NOTE! The protection of the walls or ceiling with heat protection, such as mineral board fitted directly on the wall or ceiling, may cause the temperature of the wall and ceiling materials to rise dangerously high.

ROOM CONSTRUCTION – GENERAL INFORMATION	
FRAMING	2" x 4" (50 x 100 mm) any suitable wood material, 16" (406 mm) o.c.
CEILING HEIGHT	No higher than 7'6" (2300 mm).
INSULATION	R11 Fiberglas with foil back in walls and ceiling, foil facing into room.
DRYWALL	See local codes. Is not required in most residences. See local codes for commercial. If drywall is used apply 1" x 2" (25 x 50 mm) nailers so that wall and ceiling boards can be attached to solid wood.
PANELING	Use kiln-dried softwood (with moisture content not exceeding 11 %).
BENCHES	Use matching softwood. Fasten from bottom to prevent burning of bathers.
DOOR	Must open out and should not have locking or latching system. Types of door fastenings that may be used are magnetic catches, friction catches, spring-loaded or gravity loaded door closers, and the like.
ROOM LIGHT	Should be a vapor proof, wall mounted type, with rough-in box mounted flush with inside paneling. It should be mounted 6" (150 mm) from ceiling, not directly over the sauna heater, and not over upper benches. It could be installed under benches. Light bulb should not exceed recommended watts of the light manufacturer.

NOTE! Receptacles OR PLUGS are not allowed in a Sauna room. If a speaker is installed in a Sauna room, it should not be installed higher than 3' (914 mm) from floor, away from the Sauna heater (consult manufacturer for ratings).

Blackening of the Sauna Walls

It is perfectly normal for the wooden surfaces of the sauna room to blacken in time. The blackening may be accelerated by:

- sunlight
- heat from the heater
- protective agents on the walls (protective agents have a poor heat resistance level)
- fine particles disintegrating from the sauna stones which rise with the air flow.

Sauna Room Floor

Due to a large variation in temperature, the sauna stones disintegrate in use. Small pieces of stone are washed down on the sauna room floor along with the water thrown on the rocks. To prevent aesthetic damage only dark joint grouts and floor coverings made of rock materials should be used underneath and near the heater.

Heater Output

When the walls and ceiling are covered with panels and insulation behind the panels is adequate, the heater output is defined according to the volume of the sauna. Non-insulated walls (brick, glass block, glass, concrete, tile, etc.) increase the need for heater output. Add 1,2 m³ to the volume of the sauna for each non-insulated wall square meter. For example, a 10 m³ sauna room with a glass door equals the output requirement of about a 12 m³ sauna room. Because log walls are heated slowly, the cubic volume of a log sauna should be multiplied by 1.5, and the heater output should then be selected on the basis of this information. **Choose the correct heater output > Technical data**

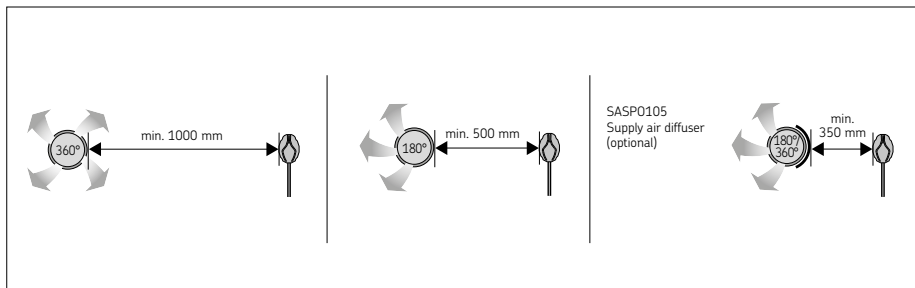
EN

Sauna room ventilation



Note! Do not place the supply air vent so that the air flow cools the temperature sensor

- The air in the sauna room should change six times per hour.
- If mechanical ventilation is used, air supply vent should be placed above the heater.
- If natural ventilation is used, air supply vent should be placed under or next to the heater. The diameter of the supply air pipe must be 50–100 mm.
- Exhaust air vent (Ø 100 – 200 mm). Place the exhaust air vent near the floor, as far away from the heater as possible. The diameter of the exhaust air pipe should be twice the diameter of the supply air pipe.
- Optional vent for drying (closed during heating and bathing). The sauna can also be dried by leaving the door open after bathing.
- If the exhaust air vent is in the washroom (Ø 100 – 200 mm), the gap underneath the sauna door must be at least 100 mm. Mechanical exhaust ventilation is mandatory.



10. The air vent's minimum distance from the sensor.

Sauna Room Hygiene

Good hygienic standards of the sauna room will make bathing a pleasant experience.

- The use of sauna seat towels is recommended to prevent sweat from flowing onto the platforms. The towels should be washed after each use. Separate towels should be provided for guests.
- It is advisable to vacuum or sweep the floor of the sauna room. The floor may be wiped with a damp cloth.
- The sauna room should be thoroughly washed at least every six months. Brush the walls, platforms and floor by using a scrubbing-brush and sauna cleanser. Then rinse the saunaroom by using clean household water.
- Remove lime stains from the heater using a 10% citric acid solution and rinse.
- Wipe dust and dirt from the heater with a damp cloth.



See **WARNINGS AND NOTES!**
See **TECHNICAL DATA!**

Heating of the Sauna

When operating the heater for the first time, both the heater and the stones emit smell. To remove the smell, the sauna room needs to be efficiently ventilated. If the heater output is suitable for the sauna room, it will take about an hour for a properly insulated sauna to reach the required bathing temperature. The sauna stones normally reach the bathing temperature at the same time as the sauna room. A suitable temperature for the sauna room is about 149–176 °F (65–80 °C).

Using the Heater



Before switching the heater on always check that no objects have been placed on top of the heater or inside the given safety distance.



Always inspect the sauna room before restarting the timer.

Heaters are controlled using a separate control unit. See the instructions for use of the selected control unit model.

Throwing Water on Heated Stones

The air in the sauna room becomes dry when warmed up. Therefore, it is necessary to throw water on the heated stones to reach a suitable level of humidity in the sauna. The effect of heat and steam on people varies – by experimenting, you can find the levels of temperature and humidity that suit you best. Aim water only on the stones.



The maximum volume of the ladle is 0.2 litres. If an excessive amount of water is poured on the stones, only part of it will evaporate and the rest may splash as boiling hot water on the bathers. Never throw water on the stones when there are people near the heater, because hot steam may burn their skin.

Water quality requirements

The water to be thrown on the heated stones should meet the requirements of clean household water. Only special aromas designed for sauna water may be used. Follow the instructions given on the package.

Water properties	Effect	Recommendation
Humus concentration	Colour, taste, precipitates	<12 mg/l
Iron concentration	Colour, odour, taste, precipitates	<0,2 mg/l
Manganese (Mn) concentration	Colour, odour, taste, precipitates	<0,10 mg/l
Hardness: most important substances are magnesium (Mg) and lime, i.e. calcium (Ca)	Precipitates	Ca: <100 mg/
Chloride-containing water	Corrosion	Cl: <100 mg/l
Chlorinated water	Health risk	Forbidden to use
Seawater	Rapid corrosion	Forbidden to use
Arsenic and radon concentration	Health risk	Forbidden to use

Instructions for Bathing



See **WARNINGS AND NOTES!**

- Begin by washing yourself.
- Stay in the sauna for as long as you feel comfortable.
- Forget all your troubles and relax.
- According to established sauna conventions, you must not disturb other bathers by speaking in a loud voice.
- Do not force other bathers from the sauna by throwing excessive amounts of water on the stones.
- Cool your skin down as necessary. If you are in good health, you can have a swim if a swimming place or pool is available.
- Wash yourself after bathing.
- Rest for a while and let your pulse go back to normal. Have a drink of fresh water or a soft drink to bring your fluid balance back to normal

Troubleshooting



All service operations must be done by professional licensed maintenance personnel

The heater does not heat up.

- Check that the breakers to the heater are in good condition.
- Check that the connection cable is connected.
- Check that the control panel shows a higher figure than the temperature of the sauna.
- Check that the overheat protectors have not gone off.
- Check that the breaker is switched on. Also, breaker should be correct size.

The sauna room heats slowly. Water thrown on the sauna stones cools down the stones quickly

- Check that the breakers to the heater are in good condition.
- Check that all heating elements glow when the heater is on.
- Turn the temperature to a higher setting.
- Check that the heater output is sufficient.
- Check that the sauna room ventilation has been arranged correctly.

The sauna room heats quickly, but the temperature of the stones remain insufficient. Water thrown on the stones runs through.

- Turn the temperature to a lower setting.
- Check that the heater output is not too high.
- Check that the sauna room ventilation has been arranged correctly.

Panel or other material near the heater blackens quickly.

- Check that the requirements for safety distances are fulfilled.
- Check that no heating elements can be seen behind the stones. If heating elements can be seen, rearrange the stones so that the heating elements are covered completely.
- Also see section > *Blackening of the Sauna Walls*

The heater emits smell.

- See section > *Heating of the Sauna*
- A hot heater may emphasize odours mixed in the air that are not, however, caused by the sauna or the heater.
Examples: paint, glue, oil, seasoning.

The heater makes noise.

- Occasional bangs are most likely caused by stones cracking due to heat.
- The thermal expansion of heater parts can cause noise when the heater warms up.

Maintenance Instructions

1. Use only clean water on sauna stones. Do not use spa or pool water as it will destroy your heater.
2. Clean water should always be used in sauna buckets and water should be dumped out after every use. Scour buckets and dippers occasionally when film collects from usage. Use plastic bucket liner in bucket to prevent water leakage.
3. Scrub benches with a soft brush, using soap and water or a mild disinfectant, when needed— about once a week in commercial saunas, or depending upon sauna usage. For sanitation, each bather should sit or lie on a towel (this will prolong bench life).
4. Remove possible removable flooring and wash waterproof floor with disinfectant about once a week or as often as needed. Hose off removable flooring to clean.
5. To maintain beautiful appearance of sauna heater, remove water stains by wiping with a damp cloth occasionally.
6. Our heaters require no special maintenance when properly installed by a qualified electrical contractor. Rocks may need replacing if they have crumbled or powdered (depending upon sauna usage).
7. We strongly recommend a floor that can be easily cleaned (concrete, ceramic tile, or a poured type of flooring). When this is provided, the sauna can be easily cleaned and kept in a sanitary condition with little effort. A carpet is NOT recommended for a sauna! A carpet becomes a perfect breeding ground for bacteria in the moist conditions of a sauna; and a carpet promotes the spread of foot diseases such as athlete's foot. For the same reasons, wooden duckboard should not be used for flooring.
8. In new construction, a floor drain should also be provided, especially in commercial saunas for sanitary cleaning and maintenance.
9. Seal wood around glass door—inside and outside—with waterproofing wood protect or to prevent warpage.
10. When sauna wood becomes stained from perspiration, the wood may be lightly sanded with fine sandpaper to restore beautiful appearance. We do not recommend stains or sealers as toxic vapors may appear when heated. However, 2 coats of waterproofing wood protector may be used on the woodbenches in a commercial sauna, so that the wood may be more easily cleaned and kept sanitary — the wood will not absorb perspiration.
11. The sauna room will heat faster if the higher vent is kept in a closed position when heating. The lower vent may always be kept in an open position.
12. Required warning signs should be posted according to the instructions.

Guarantee

- The manufacturer gives a one year guarantee for this heater. The guarantee starts from the date of purchase and includes all the parts of the heater (heating elements, controls, contactors, etc.).
- The guarantee covers faults from the manufacture and material only. The guarantee includes a supply of spare parts by the manufacturer or importer after the faulty parts have been returned. Replacing any parts in the heater does not extend the original guarantee period of one year.
- The guarantee does not cover defects caused by normal wear and tear, defects caused by improper installation, poor maintenance or failure to follow the manufacturer's instructions for installation, use and care, or alterations made to the product. The guarantee is void if the heater is used improperly. The guarantee does not cover delivery costs of the faulty part or repair costs on the field. If the heater is returned to the manufacturer or importer within five years from the date of purchase, the importer will provide free repair work, but may charge for spare parts if the one-year guarantee has expired.
- The guarantee is void if installation and wiring has not been carried out by licensed electrician or authorized and licensed service representative. Please note that the installers signature is needed below.
- The guarantee is void if the information below is not filled out and returned to the manufacturer or importer within 15 days of purchase. The guarantee applies only to the first installation of the product and to the original purchaser.



LIRE ATTENTIVEMENT LES AVERTISSEMENTS ET LE MANUEL AVANT D'UTILISER LE PRODUIT !



AVERTISSEMENTS

- Le poêle est destiné au chauffage d'un sauna. Il ne doit en aucun cas être utilisé à d'autres fins ! Le centre de contrôle permet de contrôler les fonctionnalités du sauna et du poêle. Il ne doit en aucun cas être utilisé à d'autres fins !
- Pour usage domestique seulement!
- Ne pas utiliser le sauna pour y faire sécher du linge sous peine de provoquer un incendie ou d'endommager les pièces électriques en raison de l'humidité excessive.
- Se tenir éloigné des pierres et des parties métalliques du poêle. Elles risquent de provoquer des brûlures.
- Ne pas projeter trop d'eau à la fois sur les pierres: la vapeur produite au contact des pierres est brûlante.
- Cet appareil n'est pas destiné à être utilisé par des personnes (y compris les enfants) ayant des handicaps physiques, sensoriels ou mentaux, ou un manque d'expérience, à moins qu'ils n'aient été informés de la manière d'utiliser l'appareil par une personne responsable de leur sécurité. Les enfants doivent être surveillés afin de s'assurer qu'ils ne jouent pas avec l'appareil.
- Les enfants, les handicapés et les personnes affaiblies ou en mauvaise santé doivent être accompagnés lors des séances de sauna.
- Les parents doivent veiller à ce que les enfants ne s'approchent pas trop près du poêle.
- Discuter avec un pédiatre de la participation éventuelle d'enfants en bas âge aux séances de sauna (âge, température du sauna, durée des séances ?)
- Toujours se déplacer avec la plus grande prudence, les bancs et le sol pouvant être glissants.
- Ne pas fumer, consommer d'alcool ou faire de l'exercice dans le sauna.
- Ne pas passer plus de 30 min de suite dans le sauna car une exposition excessive peut nuire à la santé. Le sauna ne doit pas être utilisé comme test d'endurance !
- Les personnes en mauvaise santé doivent consulter leur médecin avant d'utiliser le sauna !
- Ne pas placer de matériau combustible au-dessus du poêle (serviettes, maillots de bain, seau ou louche en bois) !
- L'hyperthermie se produit lorsque la température interne du corps dépasse de plusieurs degrés la température normale du corps (98,6 °F). Les symptômes d'hyperthermie incluent une hausse de la température interne du corps, des vertiges, la léthargie, la somnolence et l'évanouissement.
Les effets de l'hyperthermie incluent :
 - A. l'insensibilité à la chaleur ;
 - B. l'indifférence au besoin de sortir de la cabine ;
 - C. l'inconscience du danger imminent ;
 - D. des lésions fatales chez les femmes enceintes ;
 - E. l'incapacité physique à sortir de la cabine ;
 - F. la perte de connaissance.

- La consommation d'alcool, de drogues ou de médicaments peut augmenter considérablement le risque d'hyperthermie mortelle.
- Utiliser uniquement de l'eau propre du robinet sur les pierres. Ne pas utiliser d'eau de piscine ou de spa car cela risquerait de dégager du chlore et d'endommager les résistances !
- L'air marin et humide est susceptible d'avoir une action corrosive sur les surfaces métalliques.
- En aucun cas ne placer dans le compartiment réservé aux pierres ou même à proximité immédiate, des objets et des appareils qui pourraient modifier la quantité et la direction de l'air circulant à travers le poêle, ceci pourrait causer un échauffement excessif des résistances et entraîner un risque d'incendie sur les parois du sauna.
- Ne pas utiliser le poêle sans pierres ou si les pierres ont été empilées de façon incorrecte. S'il est mal rempli, le compartiment à pierres risque de provoquer des incendies.
- Avant de redémarrer la minuterie, faites toujours une inspection de la cabine de sauna.
- Attention ! Veuillez n'utiliser que des pierres arrondies.
- Cet appareil ne doit être utilisé qu'avec le support fourni.



ATTENTION :

Afin d'éviter tout risque de réinitialisation accidentelle du coupe-circuit thermique, cet appareil ne doit pas être alimenté par un dispositif de commutation externe (comme une minuterie) ni connecté à un circuit que le fournisseur d'électricité met souvent hors tension.

FR



NE COUVREZ PAS L'APPAREIL !



FAITES ATTENTION À LA VAPEUR CHAUDE LORSQUE VOUS UTILISEZ L'APPAREIL !



ATTENTION AUX SURFACES CHAUDES !

Données techniques

		HSPE60U1M	HSPE80U1M
Données d'installation	Puissance (max.)	6	8
	Tensions de fonctionnement	240 VAC	240 VAC
	Fréquence	50/60 Hz	50/60 Hz
	Ampérage total	25.0	33.3
	Taille du fil d'alimentation, AWG	10	8
	Ampérage total - deux circuits d'alimentation séparés**	16.7	22.3
	Taille du fil d'alimentation, AWG - deux circuits d'alimentation séparés**	12	10
	Type de câble de connexion	Fil d'alimentation en cuivre, Température nominale min. 194 °F / 90 °C	Fil d'alimentation en cuivre, Température nominale min. 194 °F / 90 °C
	Poids lbs / kg	28,8 / 13	28,8 / 13
	Pierres	Pierres arrondies Ø 2-4" / 5-10 cm , -110lbs / 50 kg	Pierres arrondies Ø 2-4" / 5-10 cm , -110lbs / 50 kg
Température de stockage	0 - 50 °C	0 - 50 °C	
Dimensions	Hauteur inch /mm	29,5" / 750 mm	29,5" / 750 mm
	Largeur inch /mm	15" / 385 mm	15" / 385 mm
	Profondeur inch /mm	13,1" / 334 mm	13,1" / 334 mm
Cabine de sauna	Volume Cu.Ft / m3	177 - 294 / 5 - 8	177 - 431 / 5 - 12
	Superficie Sq.Ft	28 - 47	28 - 69
	Hauteur min. inch/mm	75 / 1900	75 / 1900
Accessoires approuvés	Bride de montage	HSP1	HSP1
	Grille de sécurité	HSP3M	HSP3M
Les unités de contrôle compatible		Harvia Xenio CX30-U1-U3 Harvia Xenio CX45-U1-U3 Harvia Xenio CX30-U1-U3-XW Harvia Xenio CX45-U1-U3-XW	Harvia Xenio CX30-U1-U3 Harvia Xenio CX45-U1-U3 Harvia Xenio CX30-U1-U3-XW Harvia Xenio CX45-U1-U3-XW
Réglage de la classe de poêle du centre de contrôle	Réglage de la classe*	B1	C1

* Voir le manuel de l'unité de contrôle ** Voir le schéma de câblage

Avant l'installation



Voir les **AVERTISSEMENTS ET REMARQUES !**

Avant d'installer le poêle, lisez soigneusement les instructions d'installation, et vérifiez les points suivants :

- Le volume du poêle doit être adapté pour le volume de la cabine. Le tableau > *Données techniques* recense les volumes minimum et maximum indicatifs pour chaque puissance de poêle. Condition préalable aux valeurs données : la cabine doit être bien isolée contre la chaleur. Les murs et le plafond sont garnis de lambris.
- Vérifiez que la tension d'alimentation et les ampérages soient disponibles pour le poêle.
- Les fusibles et les câbles de raccordement respectent les réglementations valides et leurs dimensions sont conformes au tableau > *Données techniques*.
- L'emplacement est adapté au poêle > *Données techniques* > figure 2. *Distances de sécurité*
- **Remarque! Le sauna ne doit être équipé que d'un seul poêle électrique.**

Distances de sécurité

Les distances de sécurité minimum sont indiquées dans la figure > 2. *Distances de sécurité*

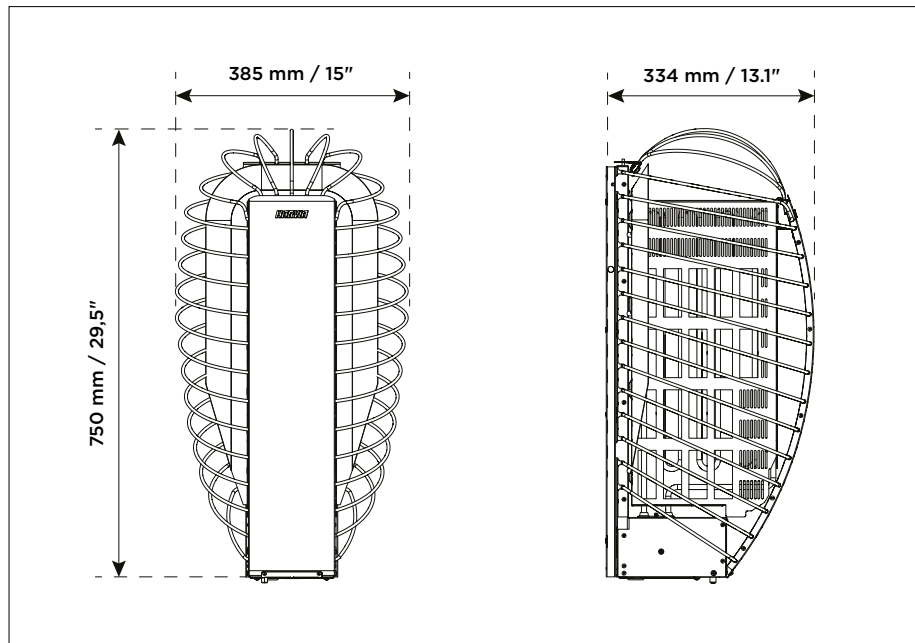


Il est absolument obligatoire de respecter ces valeurs lors de l'installation du poêle. Dans le cas contraire, il existe un risque d'incendie.



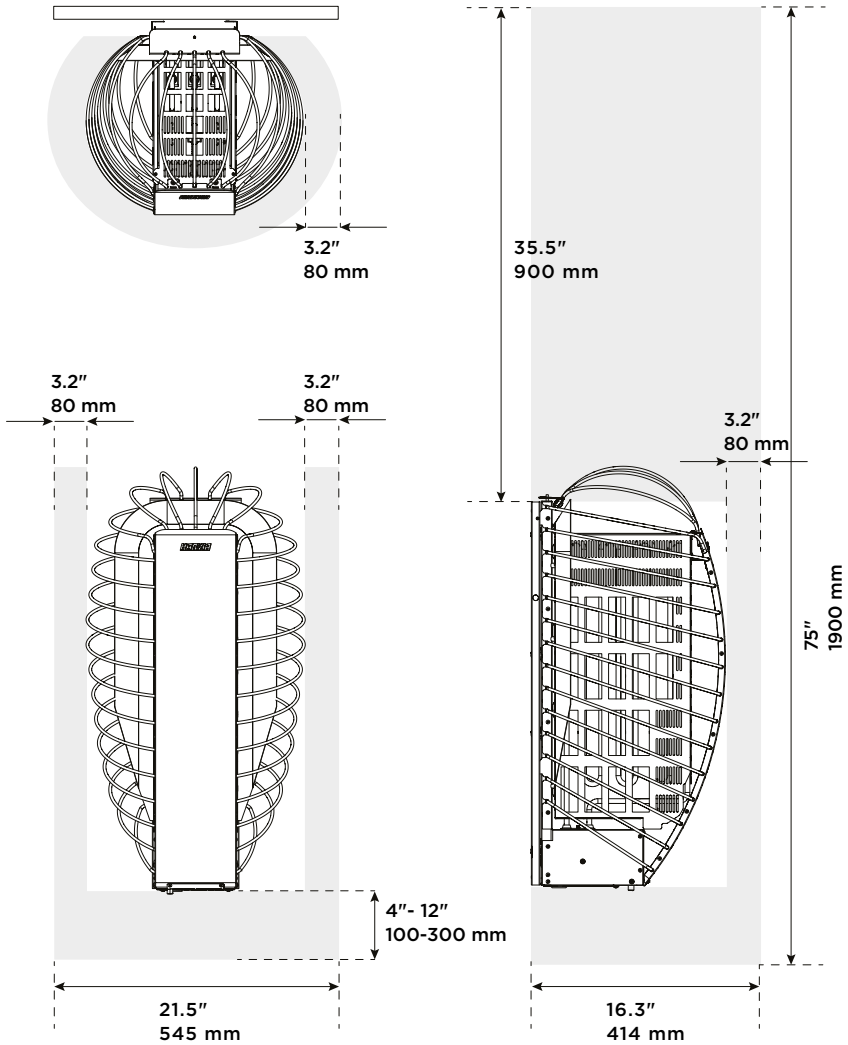
Les morceaux de pierre chaude peuvent endommager les revêtements de sol et entraîner un risque d'incendie. Les revêtements de sol à l'emplacement du poêle doivent être résistants à la chaleur.

FR



1. Dimensions

min. inch / mm

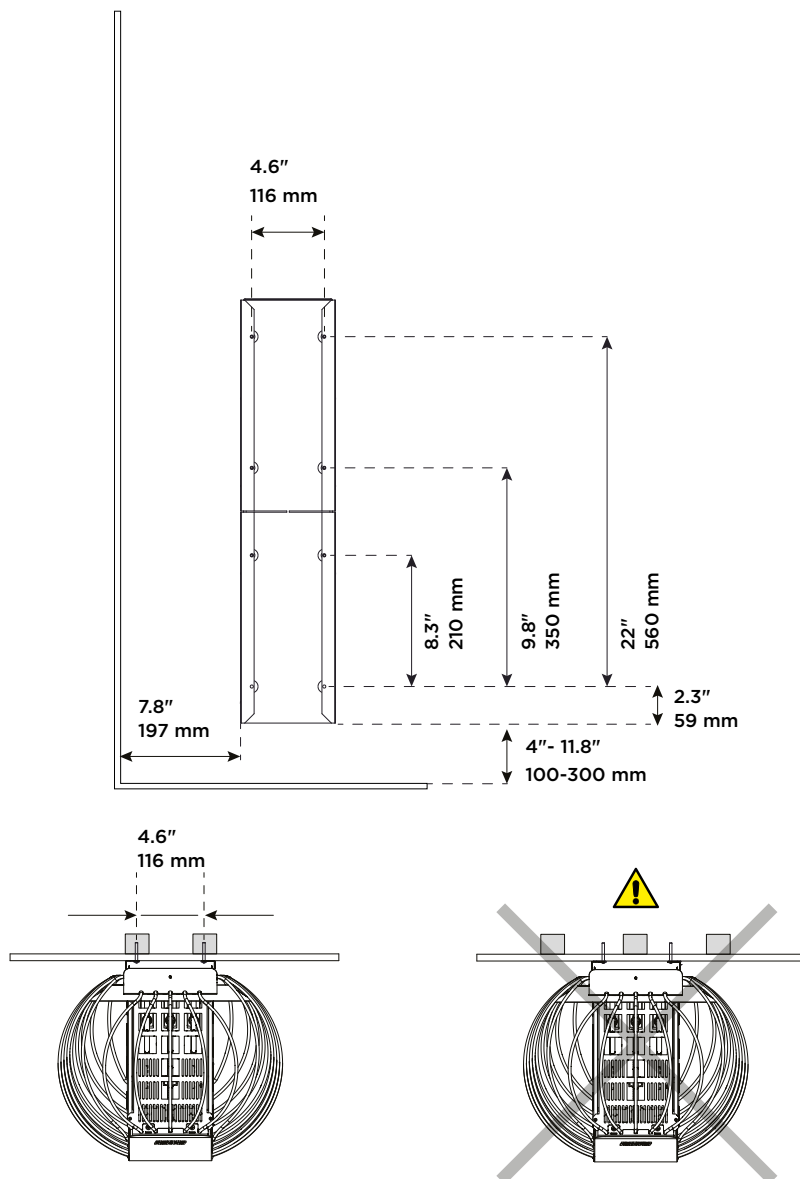


FR

2. Distances de sécurité

Installation du poêle

min. inch / mm

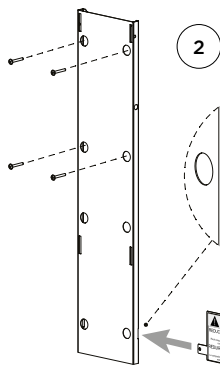
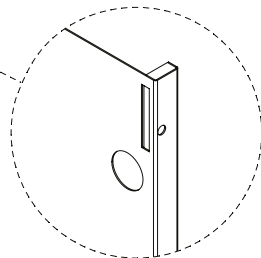
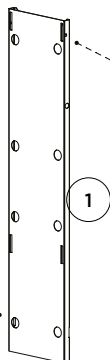
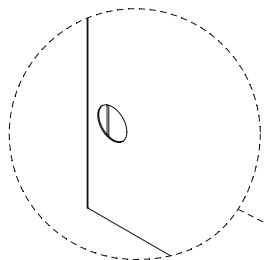


FR

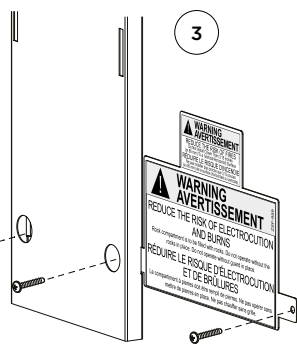
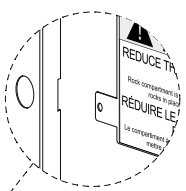
8 x



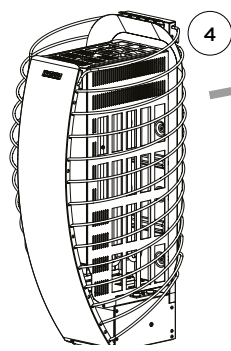
4.2 x 32



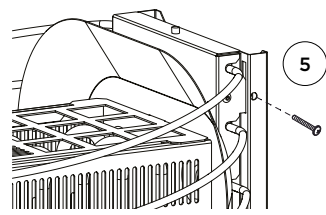
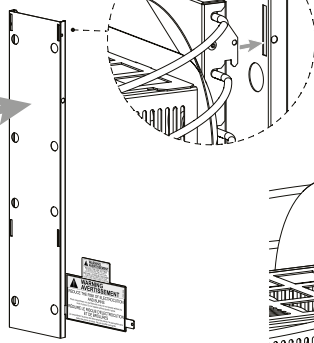
2



3



4



5

4. Installation du poêle

Placement des pierres de poêle



Le placement des pierres de sauna a un impact important sur la sécurité et la création de vapeur du poêle.

Figures > 5. Placement des pierres de poêle, > 6. Fonction de sécurité

Informations importantes sur les pierres de poêle :

- 50 kg de pierres suffisent. La quantité de pierres requise varie selon le type de pierre.
- Les pierres doivent mesurer entre 2" et 4" (5–10 cm) de diamètre.
- **La surface des pierres doit être arrondie. Les pierres fendues ne doivent pas être utilisées.**
- Les pierres doivent être en péridotite, en dolérite à olivine ou en olivine.
- Les pierres ne doivent pas être remplacées par des « pierres » en céramique ou des stéatites tendres. Celles-ci n'absorbent pas suffisamment la chaleur du poêle en fonctionnement. Les pierres tendres risquent de s'effriter et de bloquer les orifices d'aération. Cela entraînerait des dommages des résistances et une mauvaise performance du produit.
- Les pierres doivent être rincées de toute poussière avant d'être placées sur le poêle.

Pour placer les pierres, veuillez suivre les instructions suivantes :

- Commencez par les plus grosses pierres, en les plaçant au fond et sur les côtés. Cela assure une ventilation suffisante et forme une base stable pour le compartiment à pierres.
- Placez les pierres de manière rapprochée contre la grille d'acier, et de manière plus espacée au-dessus. Assurez-vous que les résistances ne sont pas visibles entre les pierres. Une couche dense empêchera le rayonnement direct de la chaleur de surchauffer les matériaux autour du poêle. Portez une attention particulière aux coins où les résistances sont les plus proches du cadre. En plaçant les pierres aléatoirement au milieu, vous permettrez à l'air de circuler dans le poêle, ce qui chauffera autant le sauna et que les pierres.
- Placez les pierres une par une. Ne les laissez pas tomber dans le compartiment à pierres.
- Avant d'utiliser le poêle pour la première fois, assurez-vous que les pierres sont stables et ne peuvent pas tomber.
- Nous vous recommandons de garder quelques pierres supplémentaires en réserve pour remplacer celles qui sont cassées ou pour en ajouter si le niveau des pierres diminue avec le temps.



Ne placez aucun objet ou appareil dans le compartiment à pierres ou à proximité de celui-ci qui puisse modifier la quantité ou la direction de l'air circulant dans le poêle.



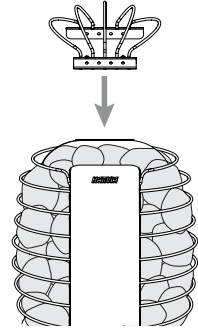
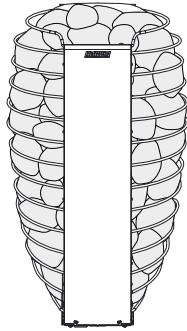
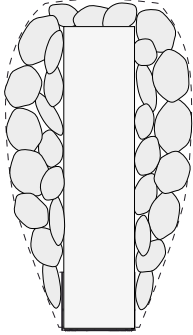
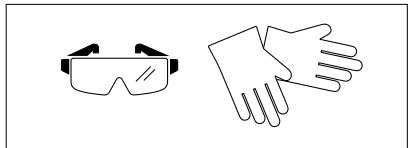
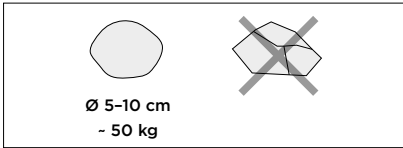
Si une résistance n'est pas entourée de pierres, elle peut émettre une chaleur dangereusement haute, même au-delà des distances de sécurité du poêle. Assurez-vous que les résistances sont bien recouvertes de pierres. En tant qu'utilisateur, vous êtes tenu de veiller à ce que le compartiment à pierres soit correctement entretenu pendant toute la durée de vie de l'appareil.

Entretien:

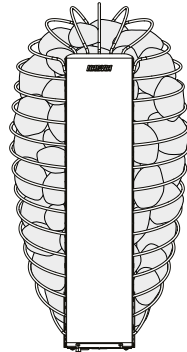
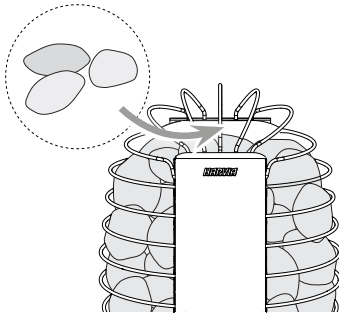
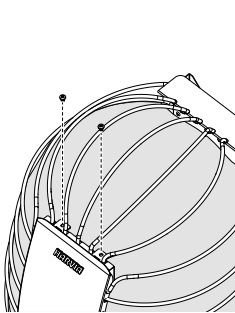
Étant données les variations importantes de température, les pierres du poêle se désintègrent au fur et à mesure de leur utilisation. Remettre les pierres en place au moins une fois par an, voire plus si le sauna est utilisé fréquemment. Remplacer toutes les pierres désintégrées par des neuves. Ainsi, la capacité de chauffage du poêle reste optimale et le risque de surchauffe est évité.



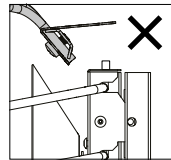
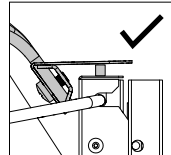
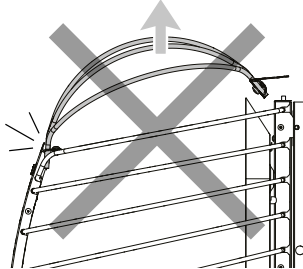
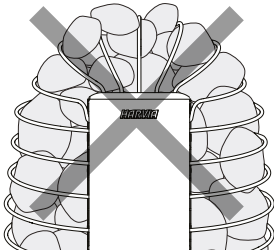
Prêter une attention particulière au tassement progressif des pierres. S'assurer que les résistances n'apparaissent pas avec le temps. Les pierres se tassent plus rapidement deux mois après leur empilement.



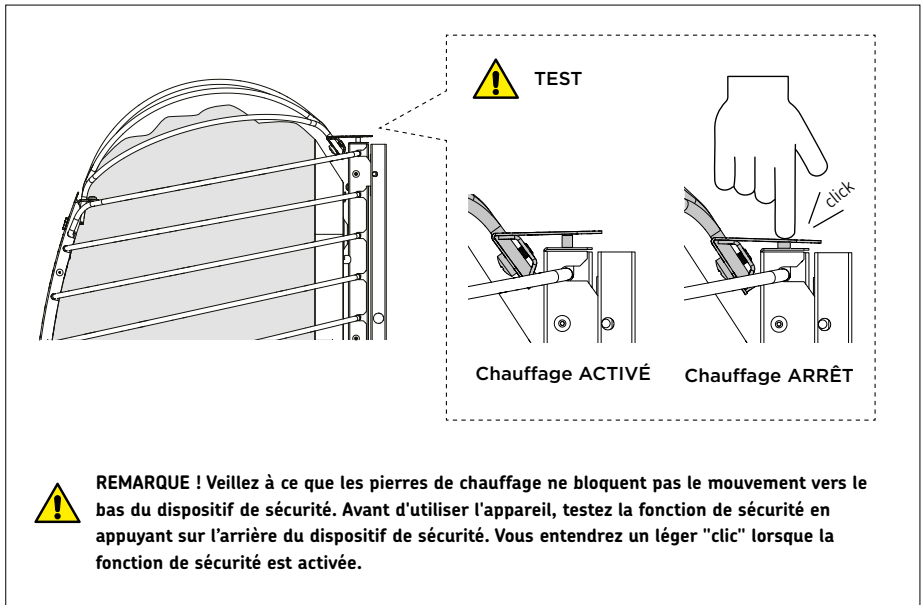
FR



REMARQUE !
Ne pas soulever ou plier.



5. Placement des pierres de poêle



6. Fonction de sécurité

FR

Ceinture de protection du poêle

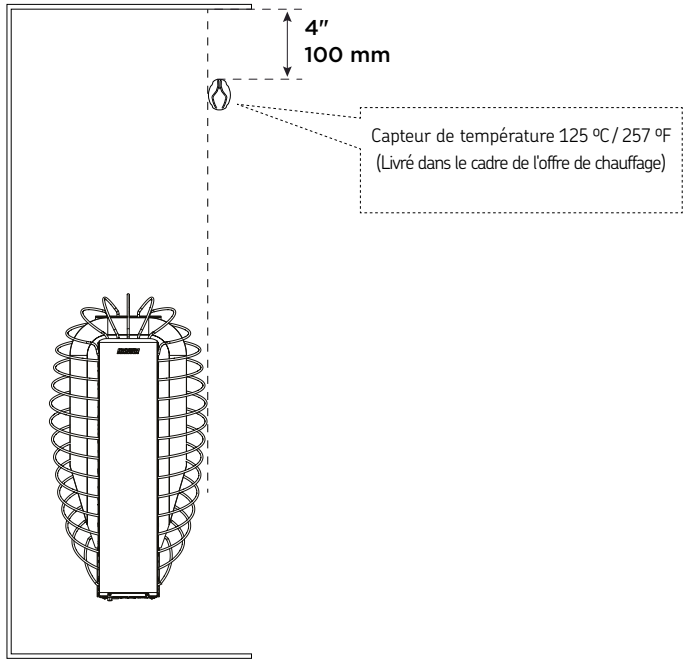
Pour des raisons de sécurité, elle est nécessaire et devrait être en bois tendre assorti à la décoration intérieure du sauna. Voir les illustrations > 2. *Distances de sécurité* pour connaître le dégagement nécessaire autour du poêle. La ceinture doit être fixée à la paroi et ne doit pas dépasser le haut du poêle au-dessous du niveau des pierres.

Installation du centre de contrôle et du capteur

- Voir les > *Données techniques: Les unités de contrôle compatible*
- Le centre de contrôle inclut des instructions détaillées pour fixer l'unité au mur. **Veillez lire les instructions de l'unité de contrôle.**
- Réglage de la classe de poêle du centre de contrôle > *Données techniques*
- Installez le capteur (125 °C / 257 °F) , fourni avec le poêle comme indiqué dans figure > 7. *Installation du capteur*

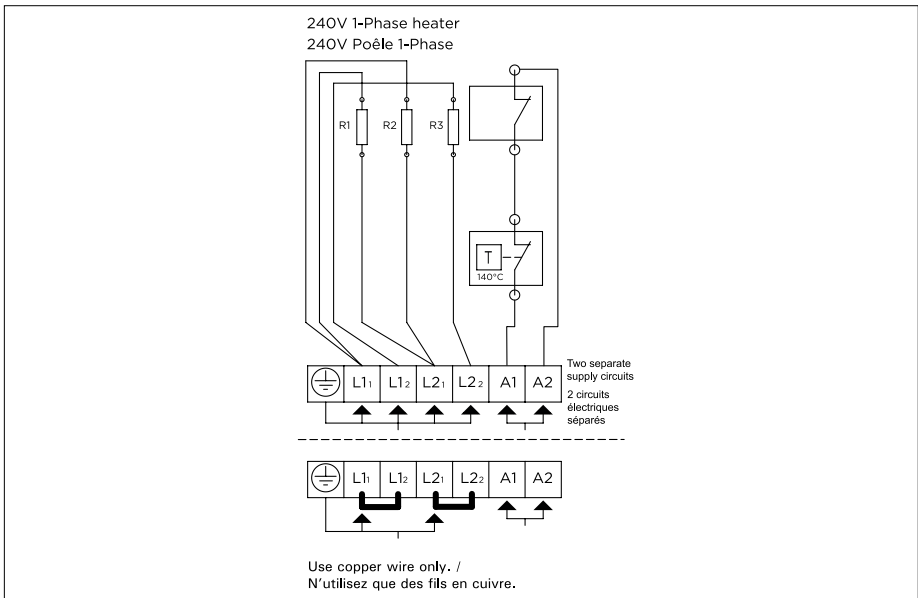
⚠ Ne pas placer la bouche d'arrivée d'air de sorte que le flux d'air refroidisse le capteur de température.

(mm/inch)



FR

7. Installation du capteur



8. Connexions électriques du poêle

Connexions électriques



Le raccordement du poêle au secteur ne doit être réalisé que par un électricien professionnel qualifié et conformément aux règlements en vigueur.

- > 8. *Connexions électriques du poêle*
 - Les schémas de câblage sont compris dans les instructions d'installation du centre de contrôle.
 - **Le conducteur du cordon d'interconnexion entre l'unité de contrôle et le poêle à sauna électrique doit avoir un calibre minimum de 8 AWG. Une décharge de traction répertoriée doit être installée sur le poêle à sauna électrique.**
 - En cas d'installation non standard, des informations supplémentaires peuvent être obtenues auprès des autorités locales compétentes.
1. Sortez le poêle du carton et posez-le à un emplacement approprié dans la cabine du sauna. Respectez les dégagements indiqués dans les figures > 2. *Distances de sécurité*
 2. Voir le schéma de câblage correspondant au modèle de poêle (Voir le manuel du centre de contrôle pour obtenir des instructions détaillées sur la connexion du poêle et du centre de contrôle). Le poêle doit être installé de manière permanente en utilisant une conduite hermétique entre le poêle et le mur de la cabine (les marettes de raccord ou prises de courant mâle ne sont pas autorisés dans la cabine). Le câblage doit être effectué par un électricien agréé qui doit suivre le schéma de câblage fourni et respecter les codes locaux. Utilisez du fil de cuivre du bon calibre pouvant résister à une température de 194 °F (90 °C) à l'intérieur des murs du sauna. Utilisez les bornes de terre prévues sur le poêle du sauna et le centre de contrôle pour mettre l'équipement à la terre conformément au code national de l'électricité et aux codes locaux.
 3. La boîte du poêle contient deux écriteaux. Placer l'écriteau « CAUTION » sur le mur intérieur de la cabine du sauna, bien en évidence au-dessus du poêle (vis et clous inclus). Placer l'écriteau métallique « WARNING » à l'extérieur, sur la porte de la cabine. Vous trouverez les « INSTRUCTIONS D'ENTRETIEN » à la fin de ce manuel.

FR

Résistance d'isolement du poêle électrique

Lors de l'inspection finale des installations électriques, il est possible que la mesure de la résistance d'isolation du poêle révèle une « fuite », due l'humidité ambiante qui a pu pénétrer dans la matière isolante des résistances de chauffage (pendant l'entreposage/transport). L'humidité disparaîtra des résistances quand le sauna aura été chauffé deux ou trois fois.



Ne pas raccorder l'alimentation du poêle électrique par au disjoncteur différentiel !

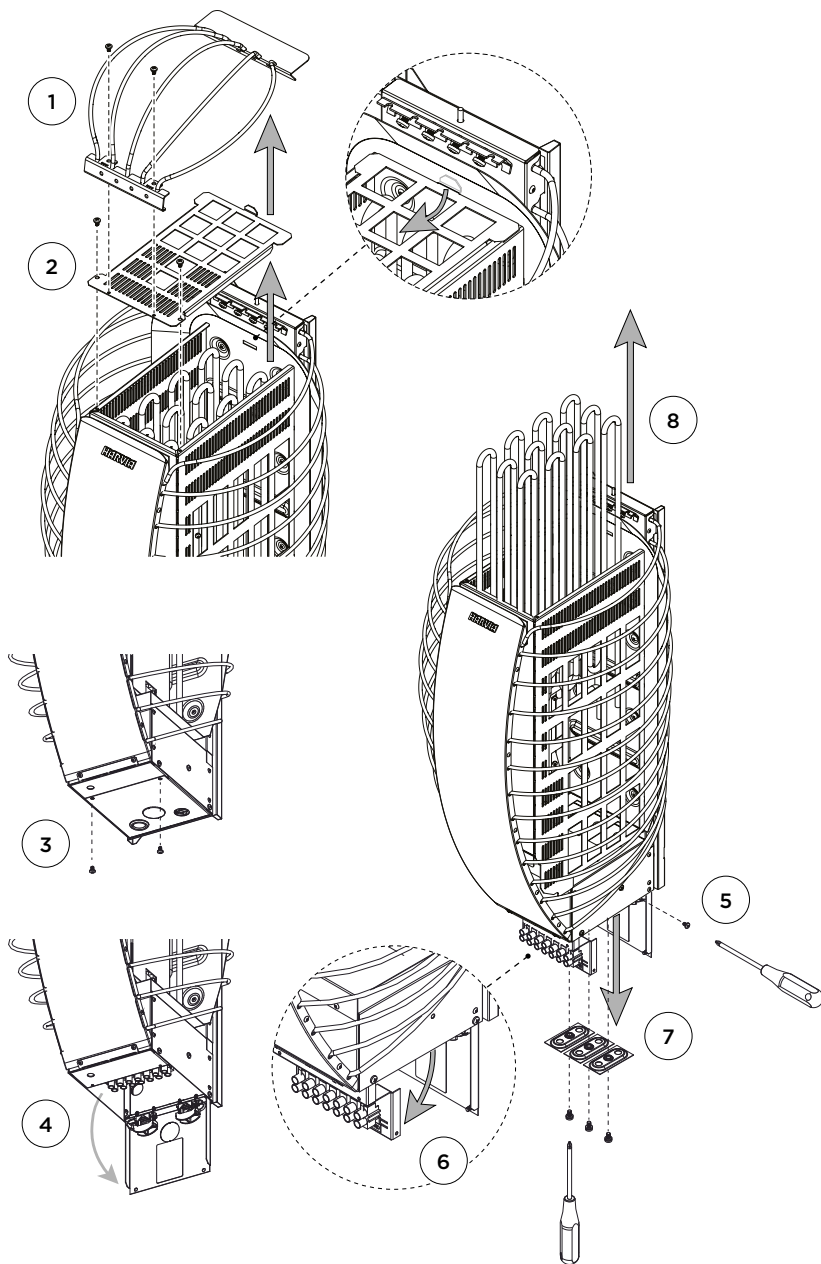
Réinitialisation de la sécurité-surchauffe

Si la température de la cabine de sauna devient dangereusement élevée, la sécurité-surchauffe coupe définitivement l'alimentation du poêle. Il est possible de remettre la sécurité-surchauffe à zéro lorsque le poêle a refroidi. Veuillez vérifier que les pierres soient correctement empilées et que le capteur soit installé conformément aux instructions d'installation. Se reporter également aux instructions d'installation relatives au centre de contrôle.



La cause de la surchauffe doit être éliminée avant la réinitialisation de la sécurité-surchauffe!

Remplacement des résistances



9. Remplacement des résistances



Voir les **AVERTISSEMENTS ET REMARQUES !**

Voir les **DONNÉES TECHNIQUES !**

Isolation du sauna et matériaux muraux

Dans un sauna chauffé électriquement, les surfaces murales massives qui accumulent la chaleur (brique, émail, crépi ou équivalent) doivent être suffisamment isolées pour permettre l'utilisation d'un poêle de puissance raisonnable.

Un sauna est considéré bien isolé si la structure des murs et du plafond comporte :

- Une couche de laine isolante soigneusement appliquée d'une épaisseur de 4" (100 mm) minimum 2" (50 mm).
- Un matériau pare-vapeur, par exemple un papier aluminium, dont les joints sont soigneusement rendus étanches, apposé de façon que la surface brillante soit du côté intérieur du sauna
- Un espace de ventilation entre le revêtement en lambris et le pare-vapeur de 0/4" (10 mm) (recommandation).
- Comme revêtement mural, un lambris d'une épaisseur de 1/2" – 5/8" (12–16 mm) environ.
- Un espace de ventilation de quelques millimètres entre la partie supérieure du lambris mural et celui du plafond.

Pour pouvoir utiliser un poêle de puissance raisonnable, il peut être judicieux d'abaisser le plafond, (hauteur minimale 75" (1900 mm)). Cela diminue le volume du sauna et permet de choisir un poêle de puissance plus faible. L'abaissement du plafond se fait en ajustant la charpente à la hauteur désirée. L'espace vide formé par la charpente est isolé (épaisseur de l'isolant : min. 4" (100 mm)) et revêtu comme indiqué ci-dessus. La chaleur ayant tendance à monter, la hauteur recommandée entre le banc et le plafond est de 47" (1200 mm).

IMPORTANT ! La protection des murs ou du plafond (par exemple au moyen d'un panneau aggloméré avec liant minéral directement installé) peut provoquer une augmentation dangereuse de la température des murs ou du plafond.

STRUCTURE DU SAUNA - INFORMATIONS D'ORDRE GÉNÉRAL	
CADRE	2" x 4" (50 x 100 mm), 16" (406 mm) o.c.
HAUTEUR DU PLAFOND	Hauteur max. 7'6" (2300 mm)
ISOLATION	Fibre de verre R11 avec le pare-vapeur papier aluminium sur les murs et le plafond avec la surface brillante du papier soit vers l'intérieur du sauna.
PANNEAU DE PLACOPLÂTRE	Se reporter à la réglementation locale. N'est généralement pas exigée dans le cadre d'une utilisation domestique. Se reporter à la réglementation locale en cas d'utilisation commerciale. Si un panneau de Placoplâtre est installé, utiliser un fond de clouage de 1" x 2" (25 x 50 mm) afin de faciliter la fixation des planches des murs et du plafond.
REVÊTEMENT MURAL	Utilisez du bois séché au séchoir (avec une teneur en humidité inférieure à 11 %).
BANCS	Utilisez du bois assorti. Placez les fixations en dessous afin d'éviter que les utilisateurs du sauna se brûlent.
PORTE	La porte doit s'ouvrir vers l'extérieur et ne doit pas être munie d'un système de verrouillage ou de fermeture. Les types de fixations de porte pouvant être utilisés sont les loquets magnétiques, les loquets à friction, les ferme-portes à ressort ou à gravité et autres.
LAMPE	Doit être étanche à la vapeur, montée au mur avec un boîtier de retenue monté dans l'alignement du revêtement mural intérieur. Elle doit être située à 6" (150 mm) du plafond au minimum et ne surplomber ni les bancs ni le poêle. L'ampoule ne devrait pas excéder les watts recommandés par le fabricant de la lampe.

IMPORTANT ! Aucune prise électrique n'est autorisée dans le sauna. Si un haut-parleur est installé dans le sauna, il ne doit pas être monté à plus de 3" (914 mm) du plancher et doit être éloigné du poêle (consulter le fabricant pour tous renseignements sur le calibrage).

Noircissement des murs du sauna

Avec le temps, il est tout à fait normal que les surfaces en bois de la cabine de sauna noircissent. Ce noircissement peut être accéléré par :

- la lumière du soleil,
- la chaleur du poêle,
- les agents de protection appliqués sur les murs (les agents de protection présentent un faible niveau de résistance à la chaleur),
- les fines particules provenant des pierres du poêle qui sont soulevées par le flux d'air.

Revêtement de sol du sauna

Du fait des importants changements de température, les pierres du poêle se détériorent et s'effritent avec le temps. La vapeur d'eau débarrasse les pierres des particules et débris détachés en les entraînant vers le sol. Afin d'éviter les inconvénients esthétiques résultant de ces faits, il est conseillé d'utiliser audessous et tout autour du poêle un revêtement de sol de type minéral et des joints foncés.

Puissance des poêles

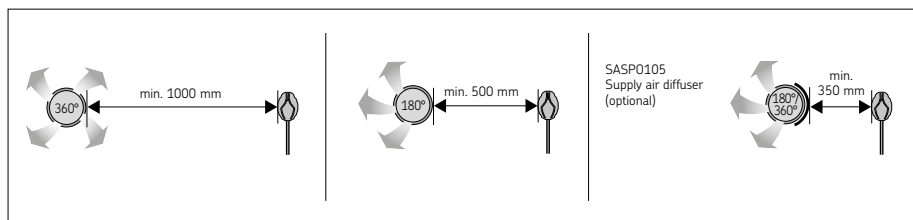
Lorsque les murs et le plafond sont couverts de panneaux et que l'isolation placée derrière les panneaux est adaptée, la puissance du poêle est définie en fonction du volume du sauna. Les murs non isolés (brique, bloc de verre, béton, tuiles, etc.) augmentent le besoin en puissance du poêle. Ajouter 1,2 m³ au volume du sauna pour chaque mètre carré de mur non isolé. Par exemple, une cabine de sauna de 10 m³ équipée d'une porte en verre présente des besoins en matière de puissance équivalents à ceux d'une cabine d'environ 12 m³. Les murs d'un sauna en bois rond ou madriers chauffent lentement ; il faut donc, lors de la détermination de la puissance du poêle, multiplier le volume par 1,5 et choisir la puissance correspondant à ce volume corrigé. **Choisir la puissance de poêle adaptée > Données techniques.**

Ventilation de la cabine de sauna



Ne pas placer la bouche d'air de manière à ce que le flux d'air refroidisse le capteur de température !

- L'air de la cabine de sauna doit se renouveler six fois par heure.
- En cas d'utilisation d'une ventilation mécanique, la bouche d'arrivée d'air doit être placée au-dessus du poêle.
- En cas d'utilisation d'une ventilation naturelle, la bouche d'arrivée d'air doit être placée en dessous ou à côté du poêle. Le diamètre du conduit d'arrivée d'air doit se situer entre 50 et 100 mm.
- Bouche d'évacuation d'air. Placer la bouche d'évacuation d'air près du sol, aussi loin que possible du poêle. Le diamètre du conduit d'évacuation d'air doit correspondre au double de celui du conduit d'arrivée d'air.
- Bouche d'air facultative pour le séchage (fermée pendant le chauffage et les séances de sauna). Le sauna peut également être séché en laissant la porte ouverte après la séance.
- Si la bouche d'évacuation d'air se trouve dans la salle de toilette, l'espace laissé sous la porte de la cabine doit être au moins égal à 100 mm. La ventilation mécanique est obligato



Hygiène de la cabine de sauna

Pour que les séances de sauna soient agréables, il convient de veiller à l'hygiène de la pièce.

- Nous recommandons l'usage de petites serviettes pour s'asseoir, afin que la transpiration ne coule pas sur les bancs. Les serviettes doivent être lavées après chaque utilisation. Il est conseillé de donner aux invités leurs propres serviettes.
- Lors du ménage hebdomadaire, il est bon d'aspirer / de balayer le sol du sauna. Il est aussi recommandé de le laver avec un chiffon humide.
- Au moins tous les six mois, le sauna doit être nettoyé à fond. Les murs, les bancs et le sol du sauna doivent être nettoyés avec une brosse et un produit nettoyant pour sauna. Puis rincez la cabine en utilisant de l'eau domestique propre.
- Éliminer les traces de chaux présentes sur le poêle à l'aide d'une solution d'acide citrique à 10 % et rincer.
- Enlever la poussière et la saleté du poêle à l'aide d'un chiffon humide.



Voir les **AVERTISSEMENTS ET REMARQUES !**

Voir les **DONNÉES TECHNIQUES !**

Chauffage du sauna

Pour éliminer les odeurs dégagées par le poêle et les pierres lors de la première utilisation, veiller à une bonne ventilation de la pièce du sauna. Si la puissance du poêle est adaptée à la cabine de sauna, un sauna correctement isolé atteint la température adéquate en une heure environ. Les pierres du poêle chauffent généralement à bonne température en même temps que le sauna. La température appropriée pour les séances de sauna se situe entre 149–176 °F (65–80 °C).

Utilisation du poêle



Avant de démarrer le poêle, toujours vérifier qu'il n'y a rien sur celui-ci ni sur la distance de sécurité donnée.



Avant de redémarrer la minuterie, faites toujours une inspection de la cabine de sauna.

Ce modèle fonctionne avec le centre de contrôle séparé. Voir les instructions d'installation et mode d'emploi du centre de contrôle.

Arrosage des pierres chauffées

En chauffant, l'air de la cabine de sauna devient sec. Il est donc nécessaire d'arroser les pierres chauffées avec de l'eau afin d'atteindre un niveau d'humidité approprié dans le sauna. La chaleur et la vapeur produisent un effet différent d'une personne à l'autre. Il est possible de trouver le niveau de température et d'humidité qui convient le mieux en procédant à des essais. Verser de l'eau uniquement sur les pierres.



Le volume maximum de la louche est de 0,2 litre. Si une quantité d'eau trop importante est versée sur les pierres, seule une partie va s'évaporer et le reste risque d'éclabousser les utilisateurs du sauna sous forme d'eau bouillante. Ne jamais verser d'eau sur les pierres lorsque des personnes se trouvent à proximité du poêle car la vapeur chaude peut brûler la peau.

Exigences en matière de qualité de l'eau

L'eau versée sur les pierres chauffées doit répondre aux exigences en matière d'eau potable. Seuls des arômes spécialement conçus pour l'eau des saunas peuvent être utilisés. Suivre les instructions figurant sur l'emballage

Propriétés de l'eau	Effet	Recommandations
Concentration d'humus	Couleur, goût, précipités	< 12 mg/l
Concentration en fer	Couleur, odeur, goût, précipités	< 0,2 mg/l
Concentration de manganèse (Mn)	Couleur, goût, précipités	<0,10 mg/l
Dureté : les substances les plus importantes sont magnésium (Mg) et chaux, c'est-à-dire calcium (Ca)	Précipité	Mg: < 100 mg/l Ca: < 100 mg/l
Eau contenant du chlorure	Corrosion	Cl: <100 mg/l
Eau chlorée	Risque pour la santé	Usage interdit Gebruik
Eau de mer	Corrosion rapide	Usage interdit Gebruik
Concentration d'arsenic et de radon	Risque pour la santé	Usage interdit Gebruik

Instructions concernant la séance de sauna



Voir les AVERTISSEMENTS ET REMARQUES

- Commencez par vous laver.
- Restez dans le sauna aussi longtemps que vous y êtes à l'aise.
- Oubliez tous vos soucis et détendez-vous.
- Selon les conventions établies en matière de sauna, vous ne devez pas perturber les autres utilisateurs en parlant à voix haute.
- N'imposez pas aux autres utilisateurs du sauna le versement de quantités d'eau excessives sur les pierres.
- Refroidissez votre peau aussi souvent que nécessaire. Si vous êtes en bonne santé, vous pouvez vous baigner si un bassin ou une piscine est disponible.
- Lavez-vous après la séance.
- Reposez-vous un peu et attendez de retrouver un pouls normal. Buvez un verre d'eau fraîche ou une boisson gazeuse pour rétablir votre équilibre hydrique.

Dépannage



Toutes les opérations d'entretien doivent être réalisées par un professionnel de la maintenance.

Le poêle ne chauffe pas.

- Vérifier que les fusibles du poêle sont en bon état.
- Vérifier que le câble de raccordement est branché.
- Vérifier que le centre de contrôle indique un chiffre supérieur à la température du sauna.
- S'assurer que les sécurités surchauffe soient toujours en place.
- Vérifier que le circuit électrique est fermé au niveau du coupe-circuit. Le coupe-circuit doit aussi être de la bonne taille.

La cabine de sauna chauffe doucement. L'eau versée sur les pierres du poêle refroidit trop rapidement.

- Vérifier que les fusibles du poêle sont en bon état.
- Vérifier que toutes les résistances s'allument lorsque le poêle est allumé.
- Augmenter le réglage du thermostat.
- Vérifier que le poêle est suffisamment puissant.
- Vérifier que la ventilation de la cabine de sauna est adaptée.

La cabine de sauna chauffe rapidement, mais la température des pierres reste insuffisante. L'eau versée sur les pierres passe à travers.

- Baisser le réglage du thermostat
- Vérifier que le poêle n'est pas trop puissant.
- Vérifier que la ventilation de la cabine de sauna est adaptée.

Le panneau ou les autres matériaux proches du poêle noircissent rapidement.

- Vérifier que les distances de sécurité sont respectées.
- Vérifier qu'aucune résistance n'est visible derrière les pierres. Si les résistances sont visibles, remettre les pierres en place de manière à ce que les résistances soient totalement couvertes.
- Voir également le paragraphe > *Noircissement des murs du sauna*

Une odeur se dégage du poêle.

- Voir le paragraphe > *Chauffage du sauna*
- Lorsqu'il est chaud, un poêle peut accentuer les odeurs présentes dans l'air mais qui ne sont pas liées au sauna ni au poêle. Exemples : peinture, colle, graisse, assaisonnements.

Le poêle émet du bruit.

- Des détonations peuvent parfois se faire entendre ; elles sont vraisemblablement dues au craquement des pierres sous l'effet de la chaleur.
- La dilatation thermique des composants du poêle peut entraîner l'émission de bruit lorsque le poêle chauffe.

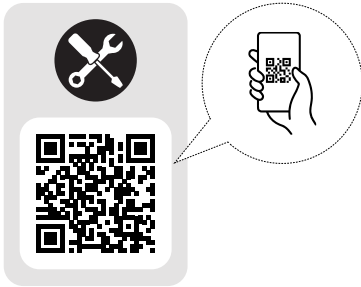
Instructions D'entretien

1. Utilisez uniquement de l'eau propre sur les pierres du sauna. N'utilisez pas d'eau de spa ou de piscine car elle endommagerait gravement le poêle.
2. Utilisez toujours de l'eau propre dans les seaux du sauna et jetez l'eau après chaque utilisation. Frottez les seaux et les louches de temps en temps lorsqu'une pellicule commence à se former après utilisation. Mettez un sac en plastique à l'intérieur du seau pour éviter les fuites.
3. Frottez les bancs avec une brosse souple et de l'eau savonneuse ou un léger désinfectant lorsque c'est nécessaire, environ une fois par semaine dans les saunas commerciaux ou selon la fréquentation du sauna. Par mesure d'hygiène, il est recommandé que chaque utilisateur s'assoie ou s'allonge sur une serviette. (La durée de vie des bancs en sera prolongée.)
4. Essuyez le plancher imperméable avec du désinfectant environ une fois par semaine ou aussi souvent qu'il le faut.
5. Pour préserver la beauté du poêle, essuyez les tâches d'eau avec un chiffon humide de temps en temps.
6. Nos poêles de sauna ne nécessitent aucun entretien particulier lorsqu'ils ont été correctement installés par un électricien qualifié. Il peut être nécessaire de remplacer les pierres si elles se sont effritées ou pulvérisées.
7. Nous recommandons vivement l'utilisation d'un sol qui peut être facilement nettoyé (béton, carrelage ou sol coulé). Le sauna peut ainsi être facilement gardé propre. Il est fortement déconseillé de mettre un tapis dans un sauna ! Un tapis deviendrait un support idéal pour les bactéries dans l'environnement humide du sauna. Il favoriserait également la transmission de maladies des pieds telles que le pied d'athlète.
8. Dans une nouvelle construction, un siphon desol doit également être installé pour faciliter le nettoyage et l'entretien, en particulier dans les saunas commerciaux.
9. Imperméabilisez le bois autour de la vitre de la porte (à l'intérieur et à l'extérieur) avec du protecteur pour bois imperméabilisant pour éviter qu'il ne se déforme.
10. S'il se forme des taches sur le bois à cause de la transpiration, vous pouvez légèrement le poncer avec du papier de verre à grains fins afin de lui redonner son bel aspect. Nous déconseillons l'utilisation de teinture ou de vernis car des vapeurs toxiques risquent de se dégager sous l'effet de la chaleur. Cependant, vous pouvez appliquer 2 couches de protecteur pour bois imperméabilisant sur les bancs en bois d'un sauna commercial afin que le bois soit plus facile à nettoyer et reste hygiénique. Ainsi, il n'absorbera pas la transpiration.
11. La cabine du sauna se réchauffe plus rapidement si la bouche d'aération haute est fermée pendant la période de chauffage. La bouche d'aération basse peut toujours rester ouverte.
12. Les écriteaux d'avertissement requis doivent être apposés selon les instructions.

Garantie

- Le fabricant assure une garantie d'un an pour ce poêle. La garantie court à partir de la date d'achat et concerne tous les composants du poêle (éléments chauffants, contrôles, contacteurs, etc.).
- La garantie couvre uniquement les défauts de fabrication et de matériau. La garantie comprend l'échange des pièces défectueuses contre de nouvelles pièces fournies par le fabricant ou l'importateur une fois que les pièces défectueuses lui ont été renvoyées. Le remplacement des pièces du poêle ne prolonge pas la période de garantie au-delà de l'année d'origine.
- La garantie ne couvre pas les défaillances provoquées par l'usure normale, une installation incorrecte, un mauvais entretien, le non-respect des instructions d'installation, d'utilisation et d'entretien fournies par le fabricant ou les modifications apportées au produit. La garantie est annulée si le poêle est utilisé de façon incorrecte. La garantie ne couvre ni les frais de livraison de la pièce défectueuse ni les frais de réparation sur place. Si le poêle est renvoyé au fabricant ou à l'importateur dans un délai de cinq ans à partir de la date d'achat, l'importateur fournira une réparation gratuite, mais facturera les pièces si la garantie d'un an est arrivée à expiration.

- La garantie est annulée si l'installation et le câblage n'ont pas été effectués par un électricien agréé ou un représentant agréé autorisé. Veuillez noter que la signature de l'installateur doit être apposée ci-dessous.
- La garantie est annulée si le formulaire ci-dessous n'est pas rempli et renvoyé au fabricant ou à l'importateur dans les 15 jours suivant l'achat. La garantie s'applique uniquement à la première installation du produit et à l'acheteur d'origine.



**Harvia heater model/
Modèle de poêle Harvia**

**Serial number/
Numéro de modèle**

**Date of purchase/
Date d'achat**

**Original purchaser/
Acheteur d'origine**

**Address/
Adresse**

**Purchased from/
Acheté chez**

**Date of electrical installation/
Date de l'installation électrique**

**Signature of the installer/
Signature de l'installateur**

**Licensed number of installer/
Numéro de licence de l'installateur**
