

## INSTALLATION AND OPERATION INSTRUCTIONS

### Wireless Control with Smart Home Interface

#### TABLE OF CONTENTS

Safety & Operating Information	1
Home Wizard Interface Module Installation	2
Home Wizard Operation	2
Home Wizard Interface Module Operation	3
Pairing	3
Battery Replacement	3
Installing the Home Wizard Holder	4
Troubleshooting	4
List of Replacement Parts	4

#### BOX CONTENT

- Home Wizard
- Home Wizard Holder
- Interface Module
- Lanyard
- 5 ft. Interface Module Connection Cable
- 2 Interface Module Mounting Screws
- Installation and Operation Instructions

#### IMPORTANT NOTE:

As you follow these instructions, you will notice warning and caution symbols. This blocked information is important for the safe and efficient installation and operation of this Home Wizard. These are two types of potential hazards that may occur during this installation and operation:

#### **! WARNING**

states a hazard which may cause serious injury or death if precautions are not followed.

#### **! CAUTION**

signals a situation where minor injury or product damage may occur if you do not follow instructions.

**IMPORTANT NOTE:** THIS HIGHLIGHTS INFORMATION THAT IS ESPECIALLY RELEVANT TO A PROBLEM-FREE INSTALLATION.

#### SAFETY AND OPERATING INFORMATION

**The Home Wizard is an energy efficient, state of the art automation system, powering down your steam generator after 10 minutes if you are delayed.**

#### **! WARNING**

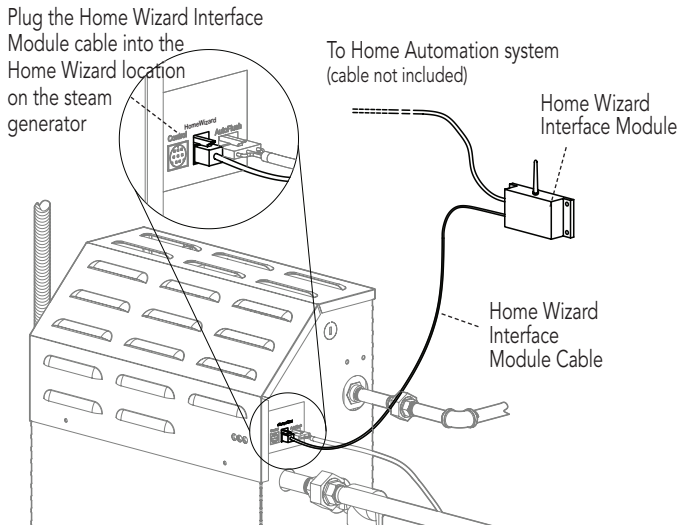
- Set the steambathing temperature according to personal preference, however it is highly recommended to begin steambathing at a low temperature setting to gauge comfort and safety levels. Set the duration at 10 minutes max. To gauge comfort and safety levels. This will allow the steam generator to heat up and begin producing steam.
- Do not install or use any iTempo®, iSteam® or Home Wizard® controls without reading and understanding the MrSteam steam generator Installation and Operation Manual (part number 101289 Revision number 10.0/08 or higher). Failure to read and understand these instructions may result in an inoperative or hazardous installation.
- A peel and stick warning is provided with the MrSteam steam generator Installation and Operation Manual. MrSteam strongly recommends that this warning be read and posted in a conspicuous location near the steam room.
- Install and use the iTempo®, iSteam® controls according to instructions. Failure to install and use according to instructions will result in an inoperative control or hazardous overheating or inadequate heating of the steam room.
- A Home Wizard used in close proximity to multiple generators, may inadvertently turn them on. Please read the paragraph on pairing in this manual if more than one Home Wizard is used in close proximity.

#### **! CAUTION**

- Ensure the steam room door is closed when using a Home Wizard. Leaving the steam room door open during steam generator operation may result in property damage.
- Do not route any iTempo, iSteam or Home Wizard control wiring inside conduit with power lines or close to hot water or steam piping. Doing so may result in an inoperative or hazardous installation.
- Do not alter or modify any iTempo, iSteam or Home Wizard controls. Doing so may result in an inoperative or hazardous installation.

#### **IMPORTANT:**

- Do not operate any iTempo, iSteam or Home Wizard control with anything other than a MrSteam iTempo or iSteam compatible steam generator. MrSteam residential steam generators with serial numbers lower than 900,000 or any other brand of steam generator are not to be operated with iTempo or iSteam controls. Doing so may result in an inoperative installation.
- This document contains important safety, operation and maintenance information. Leave this document with the homeowner. Do not discard this document.
- Discontinue use of the steam generator or control if the steam generator is damaged or otherwise not functioning properly.



**NOTE: For illustrative purposes only.**  
The iTempo control cable is not shown for clarity. An iTempo or iSteam must be used in conjunction with the Home Wizard.

### HOME WIZARD INTERFACE MODULE INSTALLATION

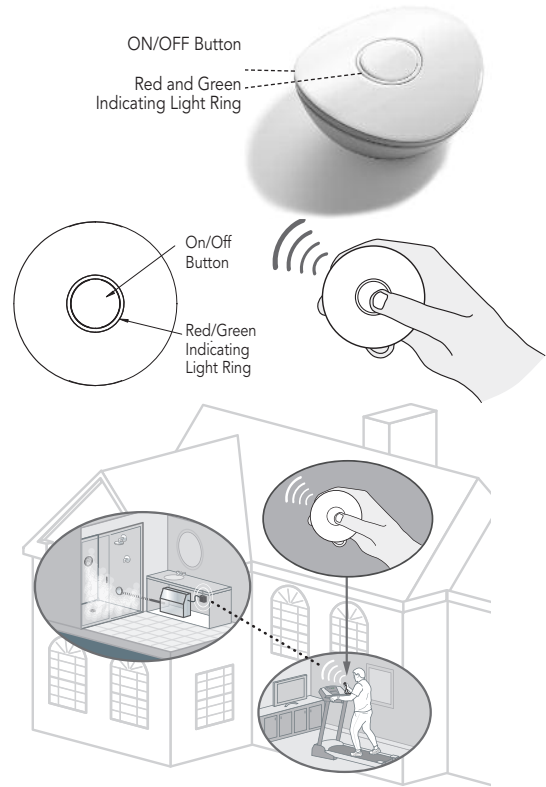
- Installation of the Home Wizard Genie should be performed by a certified Home Automation Integrator in accordance with applicable National and local electrical codes.
- Connect the Home Wizard Interface Module to the generator by plugging in the provided 5 foot cable to the Home Wizard Interface Module and the Home Wizard connector on the side of the generator as shown.
- Mount the Home Wizard Interface Module in a dry, indoor location. For maximum range, the Home Wizard Interface Module should be mounted as high as practical and away from metal that could effect the radio signal. Securing it to a nearby wood stud is ideal. The antenna should be pointing upwards.
- 2 wire pairs (not supplied) must be provided to connect the Home Automation system and the Home Wizard.
- Using the supplied connector, connect the signal wires and feedback wires from the Home Automation system to the Home Wizard.

**CAUTION** The signal from the Home Automation system must be a momentary contact closure to turn the Steam Generator ON or OFF. A sustained contact closure or voltage will damage the Home Wizard.

- The feedback from the Home Wizard is a sustained contact closure when the steam generator is ON and an open circuit when the steam generator is OFF.

**CAUTION** The maximum voltage for the feedback circuit is 2A at 12 VDC

- With the generator powered, the red light (steam off) or green light (steam on) should come on when plugged in. Press the TOGGLE STEAM button to confirm proper connection.
- Press the ON/OFF button and confirm that the Home Wizard lights match the state of the steam generator. Red for STEAM OFF (eTempo control is off) and green for STEAM ON (eTempo control is on).
- The yellow RF activity light on the Home Wizard Interface Module should flash each time the button on the Home Wizard FOB is pressed.
- Test the range of the Home Wizard FOB. It may be necessary to change the location of the Home Wizard Interface Module to improve the range. Contact MrSteam technical service for an optional 60 ft. cable, PN 103978-60.



### HOME WIZARD OPERATION

#### WITH A HOME AUTOMATION SYSTEM:

- The Steam Generator will turn on when a signal is received from the Home Automation system.
- The steam generator will run for a maximum of 10 minutes when turned on using the Home Automation system. To continue for longer than 10 minutes, simply turn the generator off then back on using the eTempo Control or the Home Wizard FOB.

#### WITH HOME WIZARD FOB:

- When the Home Wizard FOB light is off, press the button once and the Home Wizard FOB light indicates if the steam is on or off. When you press the button, the light will momentarily twinkle between red and green. A red light indicates that the steam is off and a green light indicates that the steam is on. If you are out of range, the lights will twinkle for about 5 seconds and then shut off.
- To turn the steam on or off, press the ON/OFF button again while the light is illuminated. After a short delay the light will change from red to green (steam on) or green to red (steam off).
- The light will stay illuminated for 10 seconds and then shut off.
- A blinking red light indicates that an error condition exists in the steam generator. An error code will be displayed on your eTempo or eTempo/Plus control. Contact the MrSteam Technical Service Department at 800-76-STEAM (East coast) or 800-72-STEAM (West coast) for assistance or additional information.

**CAUTION** The Home Wizard FOB may be used in the steam room. Do not submerge the Home Wizard FOB in water. Doing so may result in an inoperative or hazardous installation.

**HOME WIZARD INTERFACE MODULE:**

- The Home Wizard Interface Module is connected to and mounted near your steam generator and normally does not require any attention.
- The 4 lights on the Home Wizard Interface Module indicate the status of the steam generator that it is connected to. At least one light will be on to show you that the Home Wizard Interface Module is operating.
- If the red light is on, the steam cycle is off. If the green light is on, the steam cycle is on.
- If the red light is blinking there is an error condition in the steam generator. An error code will be displayed on your iTempo or iSteam control. Contact the MrSteam Technical Service Dept. at 800-76-STEAM (East coast) or 800-72-STEAM (West coast) for assistance or additional information.
- The yellow light flashes to indicate when the ON/OFF button on the Home Wizard FOB is pressed.
- The blue light is on to indicate that you are in pairing mode.
- While in pairing mode, the green light will continuously flash the Home Wizard Interface Module address (1-8).
- You can turn the generator on and off by pressing either button on the Home Wizard interface Module (while not in pairing mode).



**PAIRING**

- The Home Wizard FOB and Home Wizard Interface Module come paired from the factory with address 1. The Home Wizard FOB and Home Wizard Interface Module can be set to one of eight different addresses.
- Pairing is required if you have more than one steam generator in your home or if you experience interference from a neighbor's steam generator.
- You can determine the pairing of an Home Wizard FOB and Home Wizard Interface Module by pressing and holding the ON/OFF button for 2 seconds. If you are within range of the Home Wizard Interface Module, the green light will flash from 1 to 8 times depending on the address. To change the address of the Home Wizard Interface Module, you must enter pairing mode.
- To enter pairing mode, press and hold the TOGGLE-STEAM button on the Home Wizard Interface Module

- for 2 seconds until the blue indicator light comes on. The green indicator light will start flashing the current address every 4 seconds. Count from 1 to 8 flashes. To change the Home Wizard Interface Module address press the ADJUST-ADDRESS button. Observe that the flash increments from 1 to 8 and then back to 1 each time you press it.
- To change the address of the Home Wizard FOB, to match the address of the Home Wizard Interface Module press and hold the ON/OFF button while the Home Wizard Interface Module is in pairing mode. You will see the new flash count on the Home Wizard FOB.
- To exit pairing mode, press the TOGGLE-STEAM button on the Home Wizard Interface Module and observe that the blue light turns off. Pairing mode will automatically exit after 60 seconds.

**NOTE:** The Home Wizard FOB and Home Wizard Interface Module address are maintained even when power is removed.

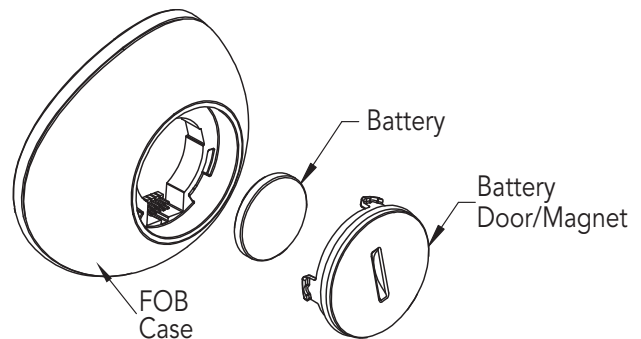
**iGENIE BATTERY REPLACEMENT:**

Your iGenie is equipped with a factory installed battery. A replacement disk battery #CR2032 is available at most stores.

**TO REPLACE THE BATTERY:**

1. Using a flathead screwdriver or coin, turn the battery door ¼ clockwise.
2. Remove the battery door.
3. Slide out the old battery.
4. Slide in a new battery making sure that the + side is facing outwards (away from the circuit board).
5. Replace the battery door and using a flathead screwdriver or coin turn it ¼ counterclockwise to close it.
6. Test the iGenie

**NOTE:** The iGenie FOB will remember its address when the battery is removed

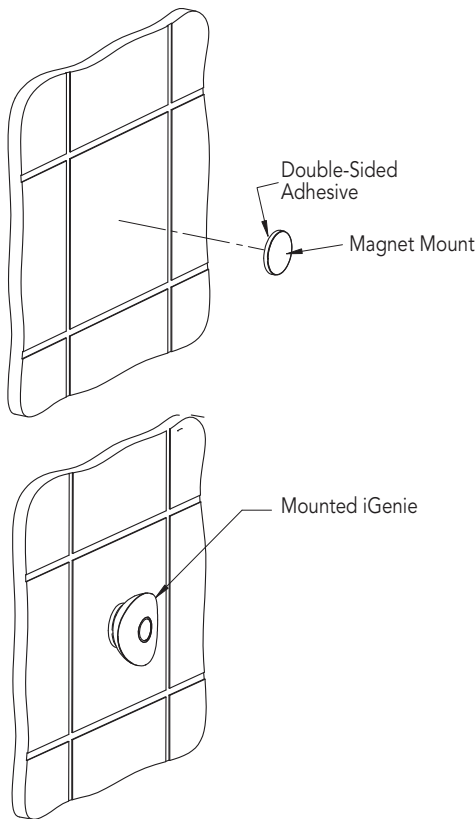


**CAUTION** The battery and battery door are small pieces, keep out of reach of children.

**INSTALLING THE iGENIE® WALL MOUNT**

A wall mounting magnet is provided with the iGenie Control as an optional convenience.

Secure the magnet mount to a wall so the iGenie is oriented as shown. Use the double sided adhesive to secure the magnet mount to the wall as shown and simply place the iGenie FOB onto the magnet mount with the battery door facing the wall to mount it.



**LIST OF REPLACEMENT PARTS**

DESCRIPTION	PART NUMBER
iGenie FOB	104129
iGenie Module	104059
5 foot Cable	104060

This device complies with Industry Canada license-exempt RSS standard(s). Operation is Subject to the following two conditions: (1) this device may not cause interference, and (2) this device must accept any interference, including interference that may cause undesired operation of the device.

**TROUBLESHOOTING**

**NOTE:** The iGenie FOB will not operate the generator without an iTempo, iTempo/Plus or iSteam control

I cannot control my steam generator with my iGenie:

Is the light twinkling on the iGenie FOB when the button is pressed?

If not, replace the batteries in the iGenie FOB.

If the light still does not twinkle, contact technical service.

Are you within range of the IGENIE MODULE?

Go closer to the steam generator and see if that works. If the range has diminished then the iGenie FOB battery may be getting weak.

Go to the iGenie Module.

Are any of the iGenie Module indicator lights on?

If not check the connection to the steam generator. Unplug and re-plug the iGenie Module from the steam generator. Verify the steam generator is receiving the correct voltage.

Press the TOGGLE STEAM button on the IGENIE MODULE and verify that it can control the steam generator. If no lights are on or you cannot manually control the steam generator, contact technical service.

Press the ON/OFF button on the iGenie FOB. While the iGenie FOB is twinkling, do you see the yellow RF activity light flashing on the IGENIE MODULE?

If yes, then the address of the iGenie FOB and the IGENIE MODULE may not match. Enter pairing mode by pressing the TOGGLE STEAM button on the iGenie Module until the blue light comes on. While the blue light on the iGenie Module is on, press and hold the ON/OFF button for 2 second until the LED flashes.

Exit pairing mode and test the iGenie FOB.

**WARRANTY:** To view or download the MrSteam Controls & Accessories Warranty and register your product go to: [blog.mrsteam.com/wr](http://blog.mrsteam.com/wr)

FCC ID: KSK-104058

FCC ID: KSK-104059

IC ID: 9321A-104058

IC ID:9321A-104059

**MrSteam: Steam Genie**

This equipment has been tested and found to comply with the limits for a Class B digital device, pursuant to Part 15 of FCC Rules. These limits are designed to provide reasonable protection against harmful interference in a residential installation.

Operation is subject to the following two conditions: 1) This device may not cause harmful interface, and 2) This device must accept any interface received, including interface that may cause undesired operation.

Changes or modifications not expressly approved by the party responsible for compliance could void the user's authority to operate the equipment.